

the team to trust ■ ■ ■

# Catalog

 accessories - spare parts ■ ■ ■

9232  
9232 IP65



A40111-A

[www.markem-imaje.com](http://www.markem-imaje.com)

Markem-Imaje S.A.S.  
9, rue Gaspard Monge - B.P. 110  
26501 Bourg-lès-Valence  
Cedex France  
Tél. : +33 (0) 4 75 75 55 00  
Fax : +33 (0) 4 75 82 98 10



markem·imaje

A  Company

User Documentation - Interface Design team



markem·imaje

A  Company

<b>General</b>	<b>5</b>
■ Safety Instructions .....	7
■ Recycling .....	7
■ How to use this catalog .....	8
<b>Electronic compartment</b>	<b>9</b>
<b>Hydraulic compartment</b>	<b>13</b>
■ Front view .....	15
■ Lateral view .....	16
■ Preventive maintenance kit .....	17
<b>Print module</b>	<b>19</b>
■ Exploded view .....	21
■ General view.....	22
<b>Accessories</b>	<b>23</b>
■ Bracket - Wall .....	25
■ Stand - Table .....	26
■ Aluminium stand .....	28
■ Stainless steel stand.....	30
■ Maintenance tray .....	32

## Contents

---

■ Head adjustment supports - Marking table.....	33
■ Alarm .....	34
■ Photocells .....	36
■ Shaft encoders .....	38
■ Antistatic brush, air blade kit .....	40
■ Marking pistol .....	42
■ Air-processing unit and head-drying kit .....	44
<b>Safety and maintenance parts</b>	<b>45</b>
■ Safety kit.....	47
■ Tools .....	48
<b>Documentation</b>	<b>49</b>
■ CD-ROM.....	51
■ Instruction manual .....	51
■ User manual .....	53
■ Network interface manual.....	53
■ Spare parts and accessories catalog .....	53

# General

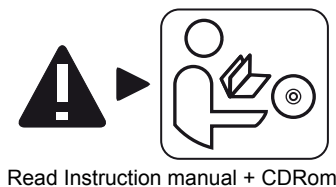
For information



For information



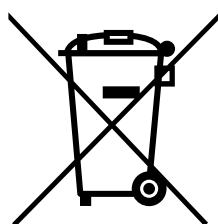
## ■ Safety Instructions



Read Instruction manual + CDRom

**WARNING:** before using the printer, please carefully read the information concerning safety and installation in the instructions and the Safety Data Sheet (SDS) for the consumables used.

## ■ Recycling



The equipment described below is industrial equipment, and therefore cannot be recycled or recovered as household waste but must be processed using special methods, as shown by the opposite symbol.

The following table indicates some of the methods available for recycling machines when they reach the end of their life cycle. These methods are shown for guidance purposes only. Other more specialized processes may be used instead of those indicated.

Please do not hesitate to contact your Markem-Imaje representative for further information.

Accumulators and batteries used in the equipment must be treated using specialized methods. If the equipment is not dismantled on site, the following information must be forwarded to the service-provider responsible for this operation.

Recycled parts	Method
1 Stainless steel cabinet.	Material 100% recyclable using any metal processing method.
2 Containers for consumables and ink circuits.	These items consist of plastic, metal and composite materials which are impregnated with or contain ink. Recommended method: - energy recovery.
3 Umbilical and printhead.	- energy recovery, - recovery of electrical material, - recovery of metals.  CAUTION : Electronic circuit board present (see 4).
4 Electronic circuit boards, screen and electrical wiring.	Recommended method: - Recovery and treatment of electronic waste (computers, televisions, etc.).

# General

---

## ■ How to use this catalog

### ▣ **How to order ?**

Orders may be sent by mail, fax or telephone. Written confirmation is required in the case of telephone orders.

To order parts, contact the Markem-Imaje representative.

The following information should be shown on orders for replacement parts or accessories:

- part reference number,
- description,
- quantity required,
- required delivery date,
- delivery instructions,
- purchase order number.

For information



# Electronic compartment

For information





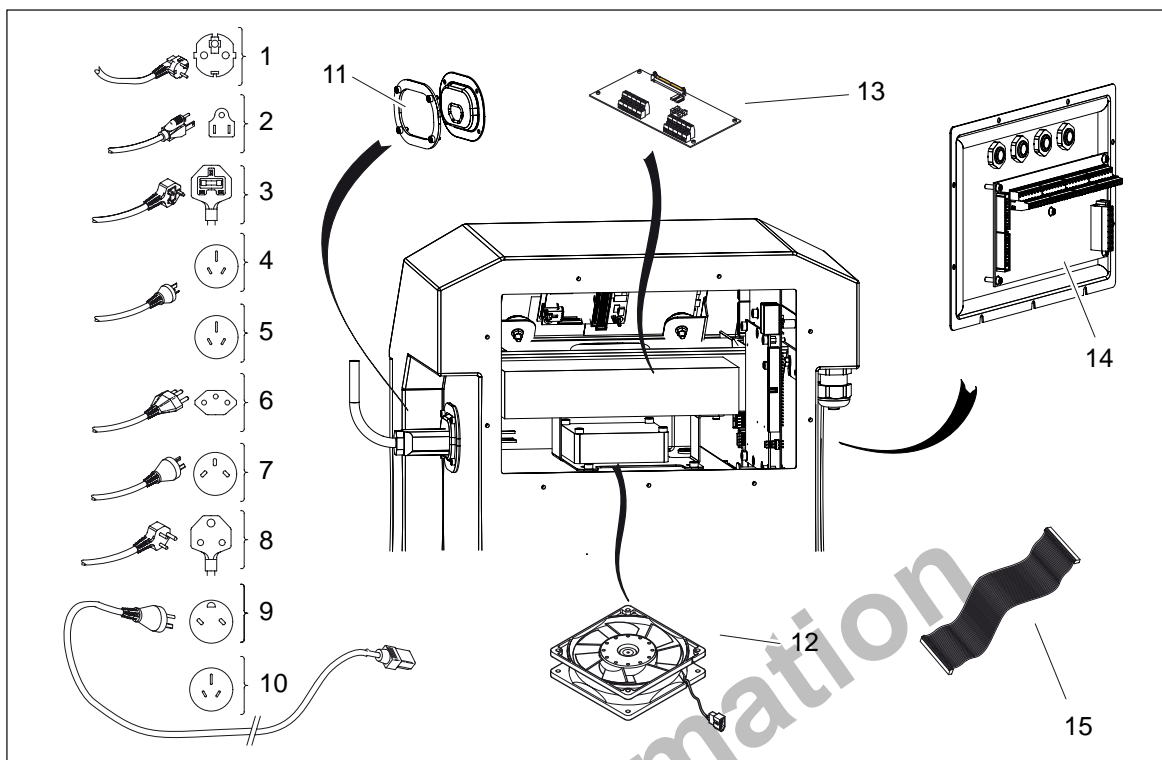
## Electronic compartment

---

For information



## Electronic compartment



Item	Part number	Description
1	A35319	Main Supply Cable - Europe standard
2	A35320	Main Supply Cable - US standard
3	A35321	Main Supply Cable - UK standard
4	A35322	Main Supply Cable - Oceanic standard
5	A41522	Main Supply Cable - Argentina standard
6	A35323	Main Supply Cable - Israeli standard
7	A35324	Main Supply Cable - Swiss standard
8	A35325	Main Supply Cable - India & South African standard
9	A35326	Main Supply Cable - Danish standard
10	A35327	Main Supply Cable - Chinese standard
11	ENM27331	Power cord protection kit
12	ENM40235	Fan - for IP55
13	ENM40189	Board - Power supply - 110V / 240V - Assembly
14	ENM39347	Board - Industrial interface
15	ENM40204	Ribbon cable - Industrial Interface / Technology Board

For information



# Hydraulic compartment

For information



# Hydraulic compartment

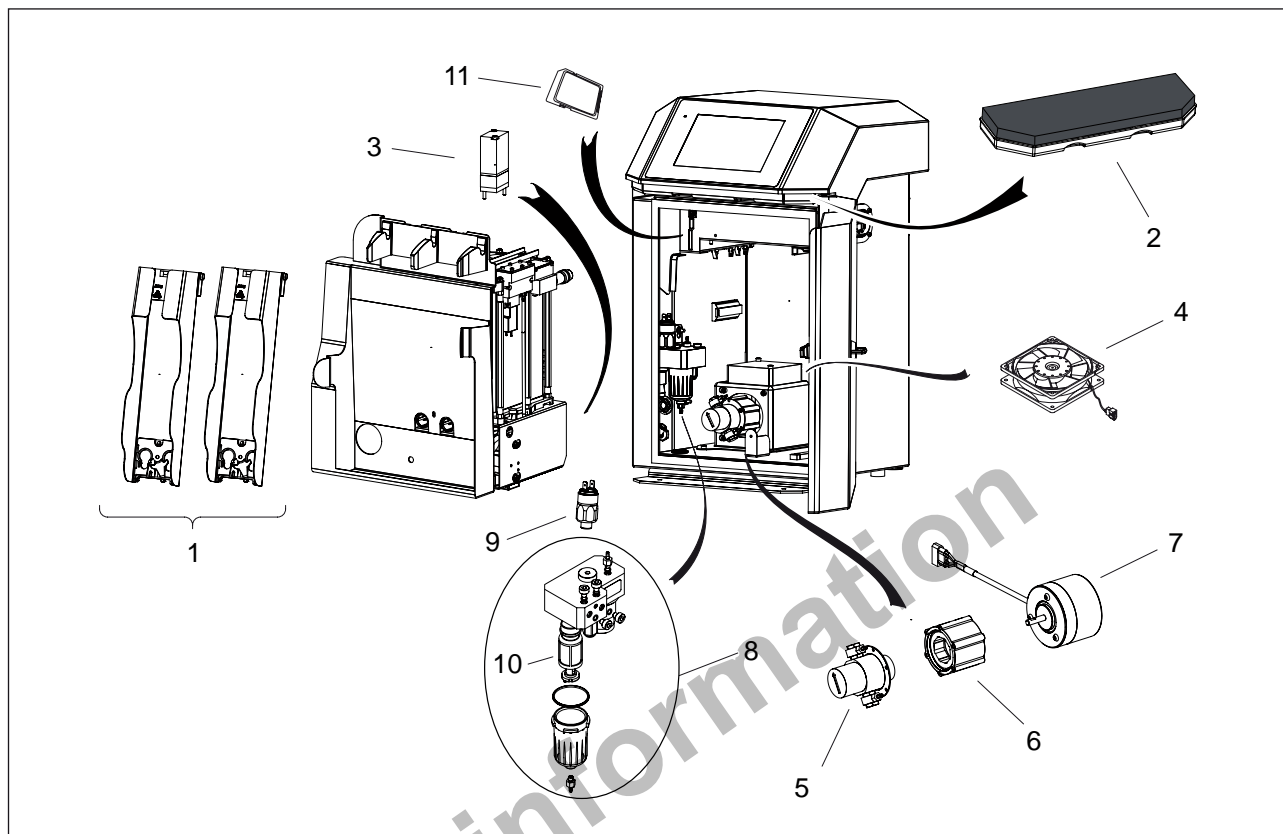
---

For information



# Hydraulic compartment

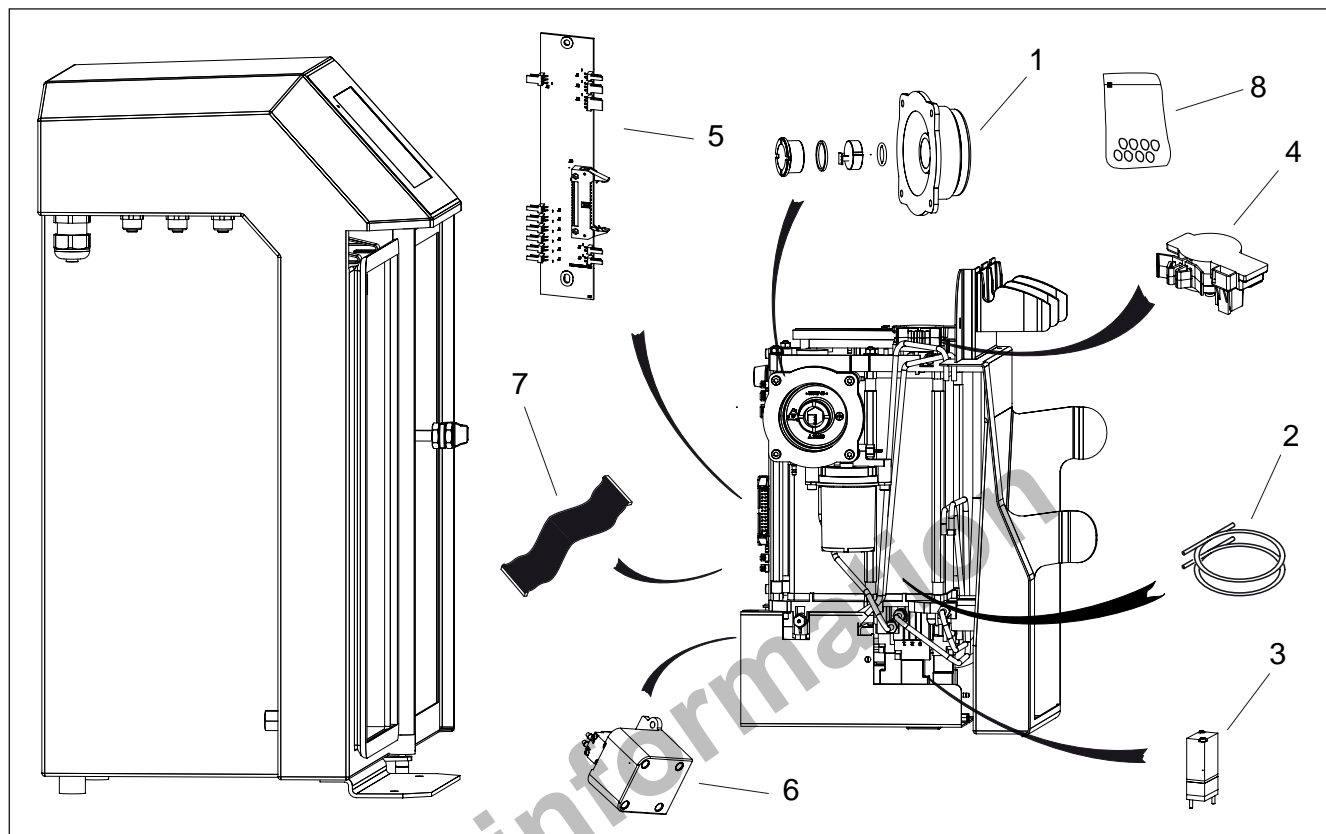
## ■ Front view



Item	Part number	Description
1	ENM40311	Cartridge holder (x2)
2	ENM40209	Air Filter assembly - For IP55
3	ENM37928	Electro valves
4	ENM40235	Fan
5	ENM5629	Pump - pressure - Standard ink
6	ENM36322	Magnetic coupling - 6mm - Strength
7	ENM26966	Motor - DC
8	ENM40206	Air Treatment Unit - Without switch
9	ENM16215	Switch - Pressure Detection - For IP65
10	ENM16203	Filter cartridge - 0.1 $\mu\text{m}$ - With seal
11	A41755	SD Card

# Hydraulic compartment

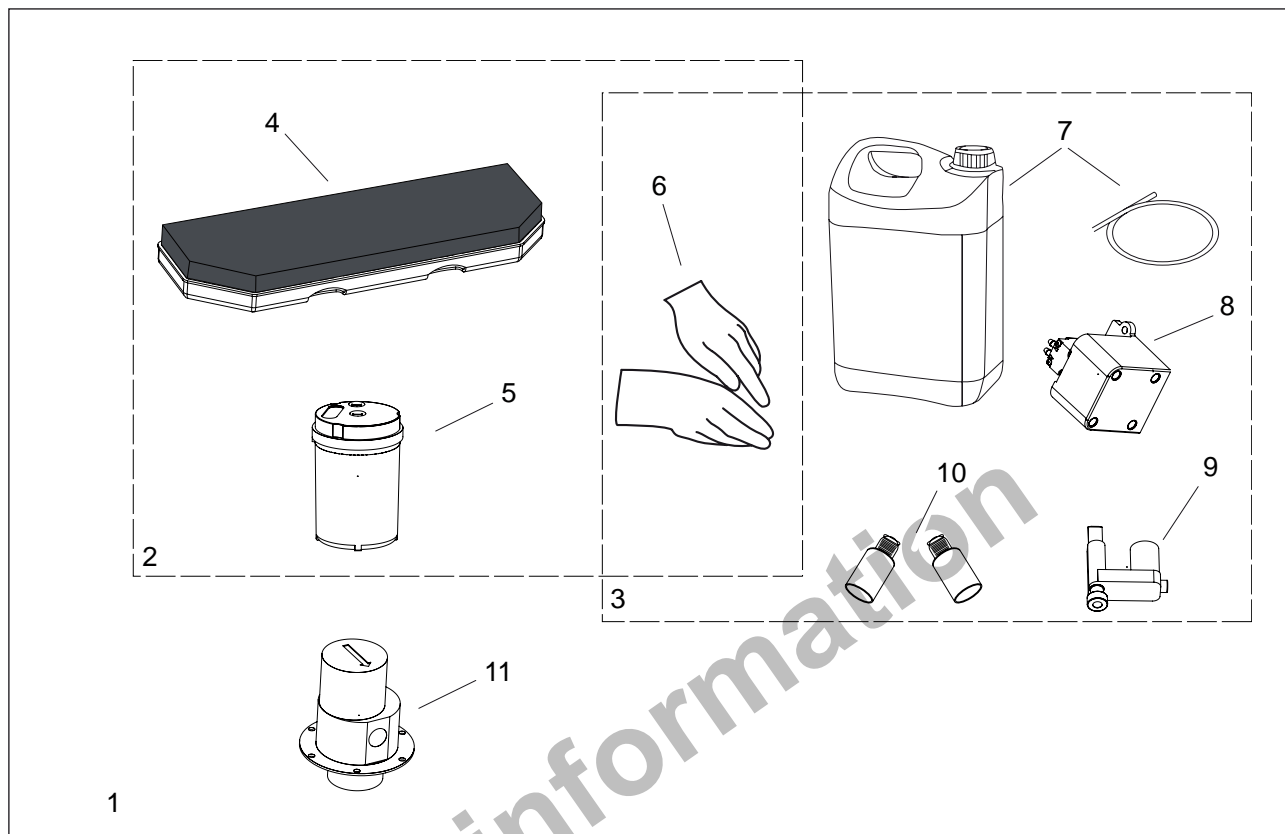
## ■ Lateral view



Item	Part number	Description
1	ENM39006	Sensor - Pressure / temperature
2	ENM4343	Tubes (20m) - 2,7x4 - with tie wraps (x2)
3	ENM37928	Electro valves
4	ENM39084	Sensor - Level
5	ENM40285	Board - ink circuit connection
6	ENM37931	Pump - Transfer
7	ENM40334	Flat cable - Ink circuit/Techno board
8	A42336	Seal kit

# Hydraulic compartment

## ■ Preventive maintenance kit



Item	Part number	Description
1	A40846	Maintenance kit (includes 2, 3, 11)
2	A40989	Filter kit (includes 4, 5, 6)
3	A40988	Draining/Flushing kit (includes 6, 7, 8, 9, 10)
4		Air filter assembly
5		Filter - Ink
6		Gloves (x2) - Latex
7		Tank - 3 liters - with pipe
8		Pump - Flushing
9		Adaptator
10		Caps (X2)
11		Pump - Pressure - Standard ink



For information



# Print module

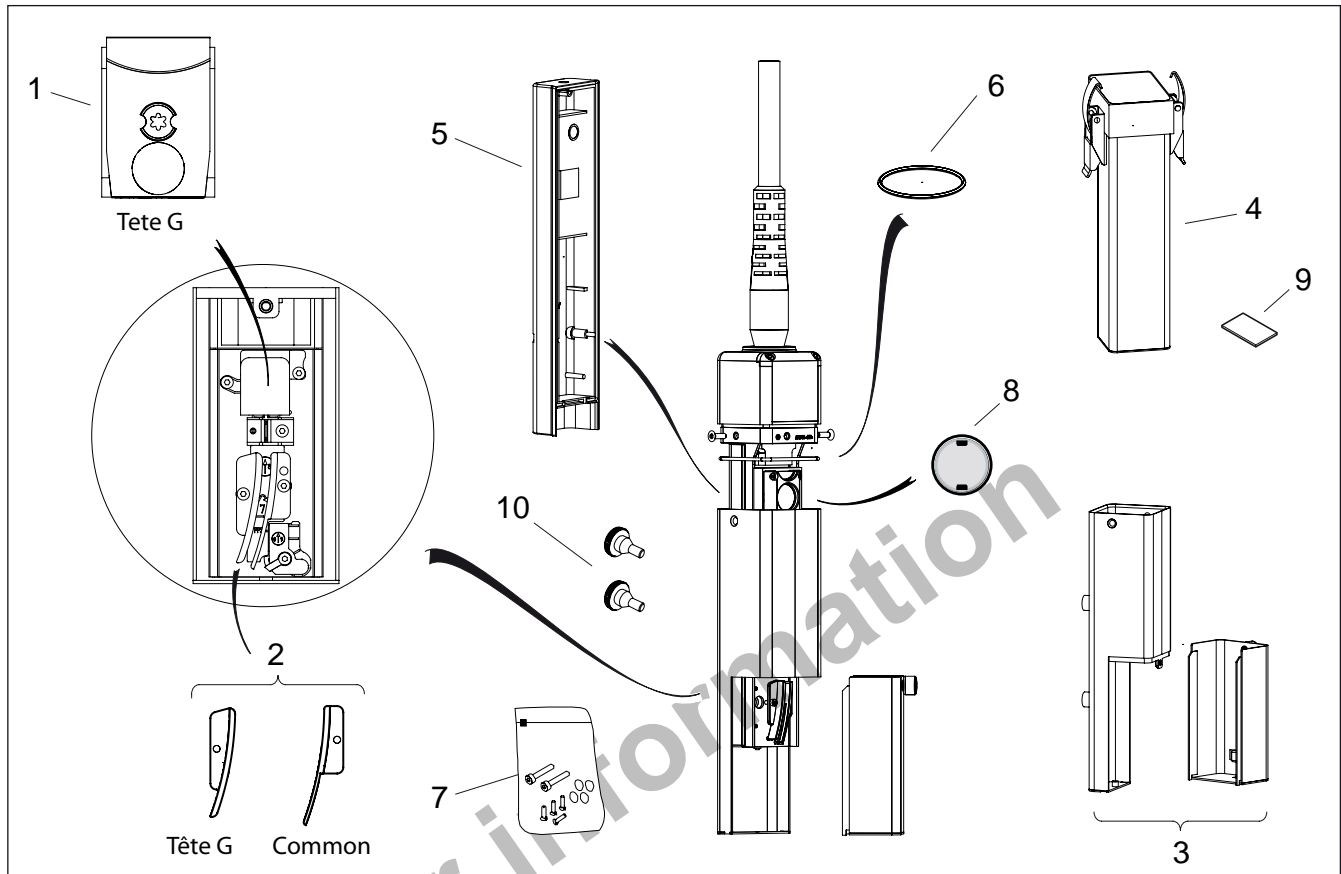
For information



For information



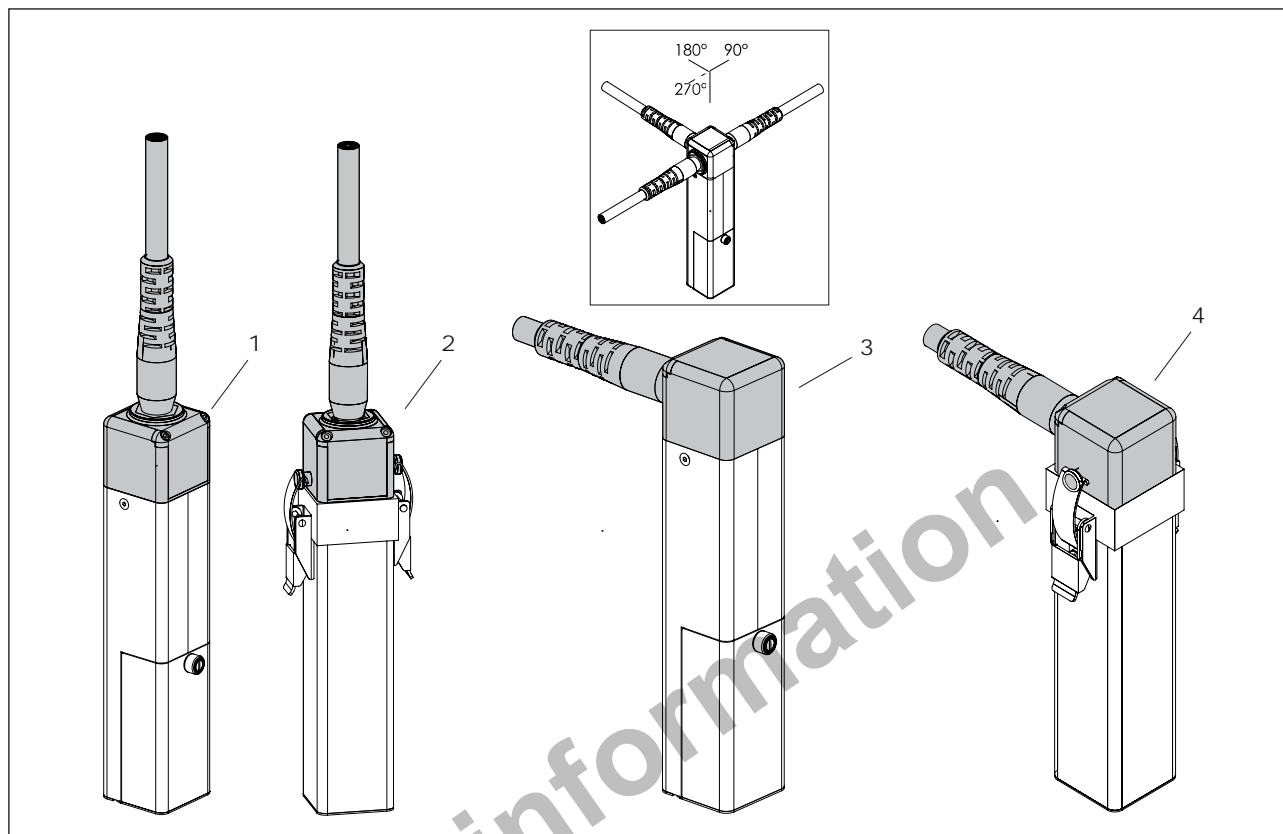
## Exploded view



Item	Part number	Description
1	ENM38980	Modulation assembly - G Head - S version (black)
1	ENM40038	Modulation assembly - G Head - L version (white)
2	ENM40783	Deflection plates kit
3	ENM40636	Cover - Head - Stainless steel - IP55
4	ENM40422	Cover - Head - Stainless steel - IP65
5	ENM40161	Cover - Head (including EHT block)
6	ENM14419	Seal - Stainless Steel Head cover
7	A41130	Seals & screws kit
8	ENM25683	Filter - Head
9	ENM16508	Magnet (x5)
10	ENM6206	Screw (x10) - Knurled - Aluminium - M6

# Print module

## General view



Item	Part number	Description
1	ENM39035	Umbilical - IP55 - Straight - 3 meters
1	ENM41153	Umbilical - IP55 - Straight - 5 meters
2	ENM41973	Umbilical - IP65 - Straight - 3 meters
2	ENM41976	Umbilical - IP65 - Straight - 5 meters
3	ENM41972	Umbilical - IP55 - Angled - 3 meters
3	ENM41975	Umbilical - IP55 - Angled - 5 meters
4	ENM41974	Umbilical - IP65 - Angled - 3 meters
4	ENM41977	Umbilical - IP65 - Angled - 5 meters

# Accessories

For information



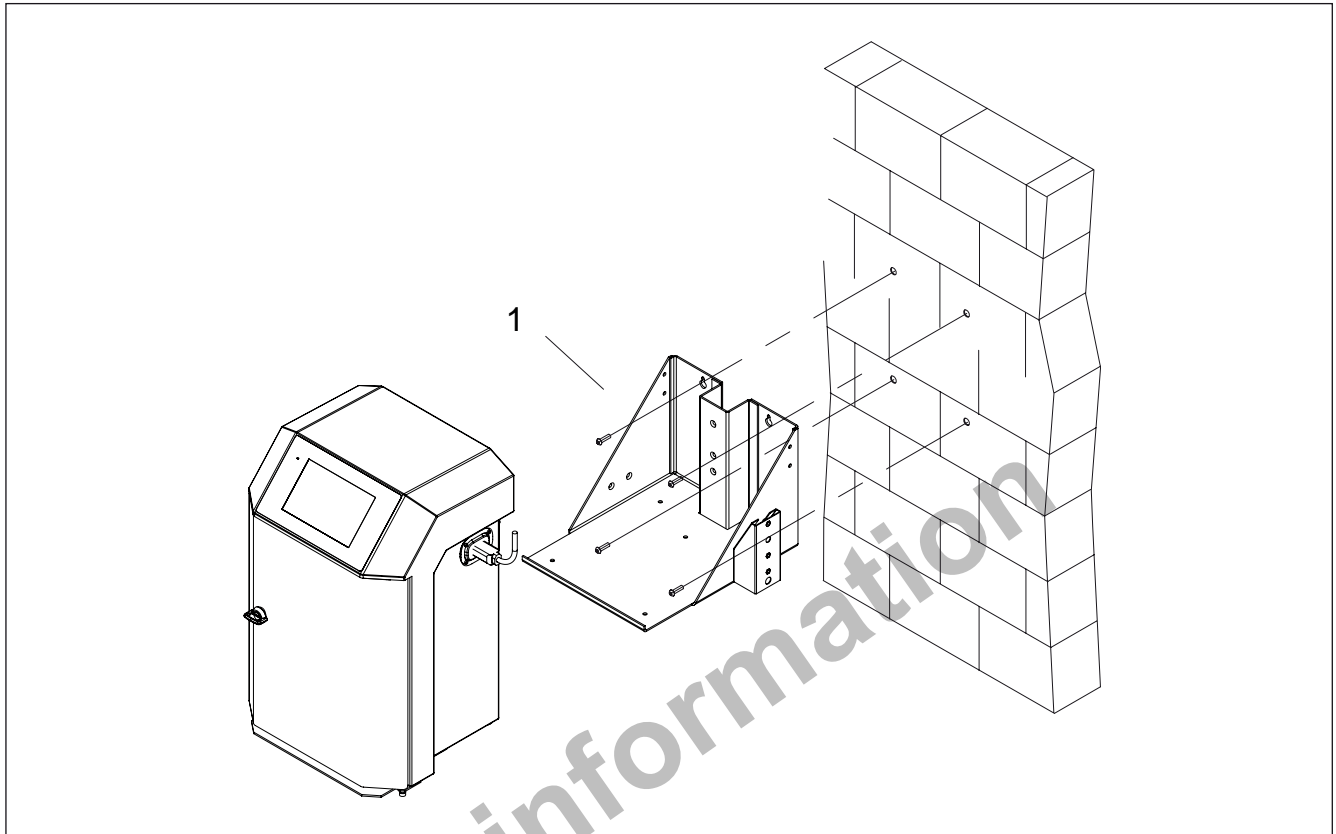
## Accessories

---

For information



## ■ Bracket - Wall



Item	Part number	Description
1	ENM40991	Bracket - Printer - Wall Mounting

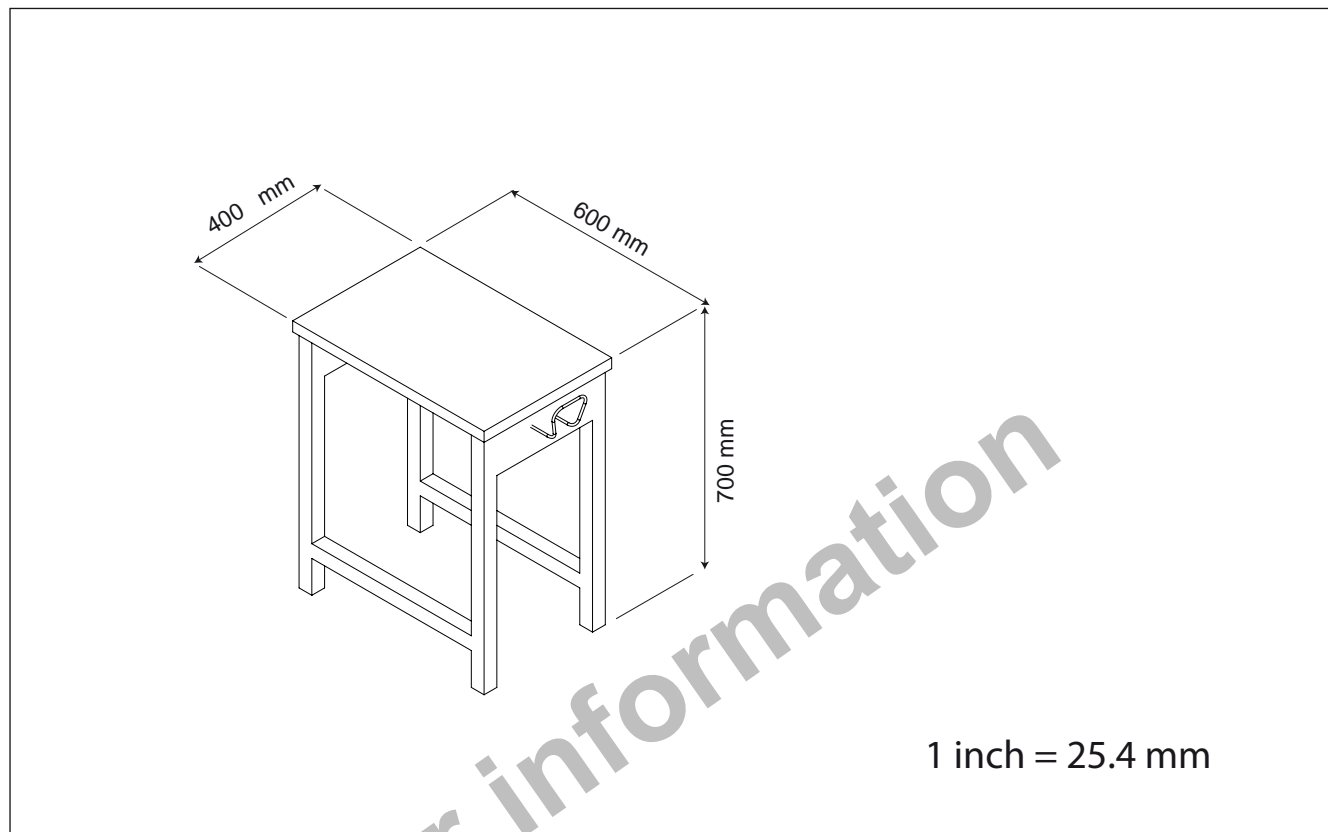


## Accessories

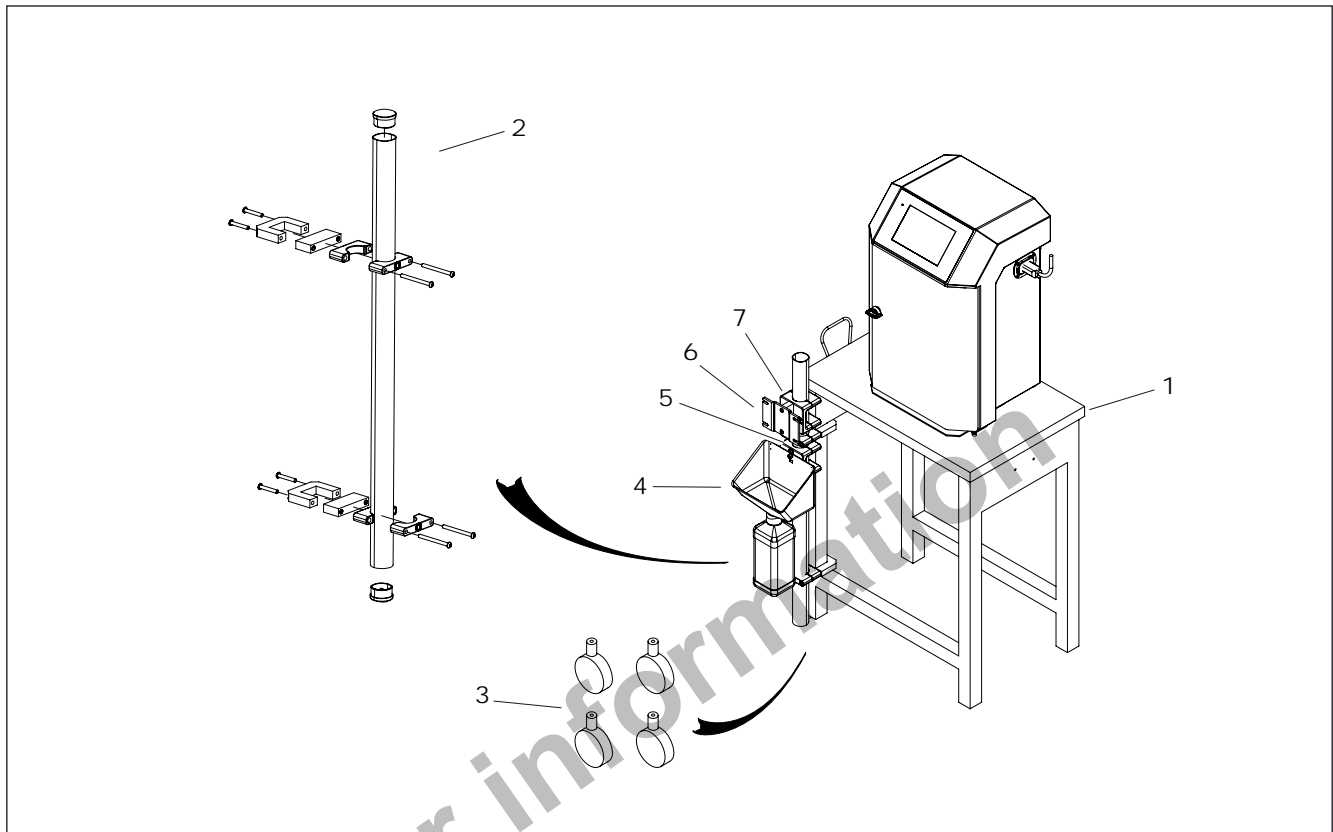
---

### ■ Stand - Table

#### □ Dimensions



## ▣ Part number

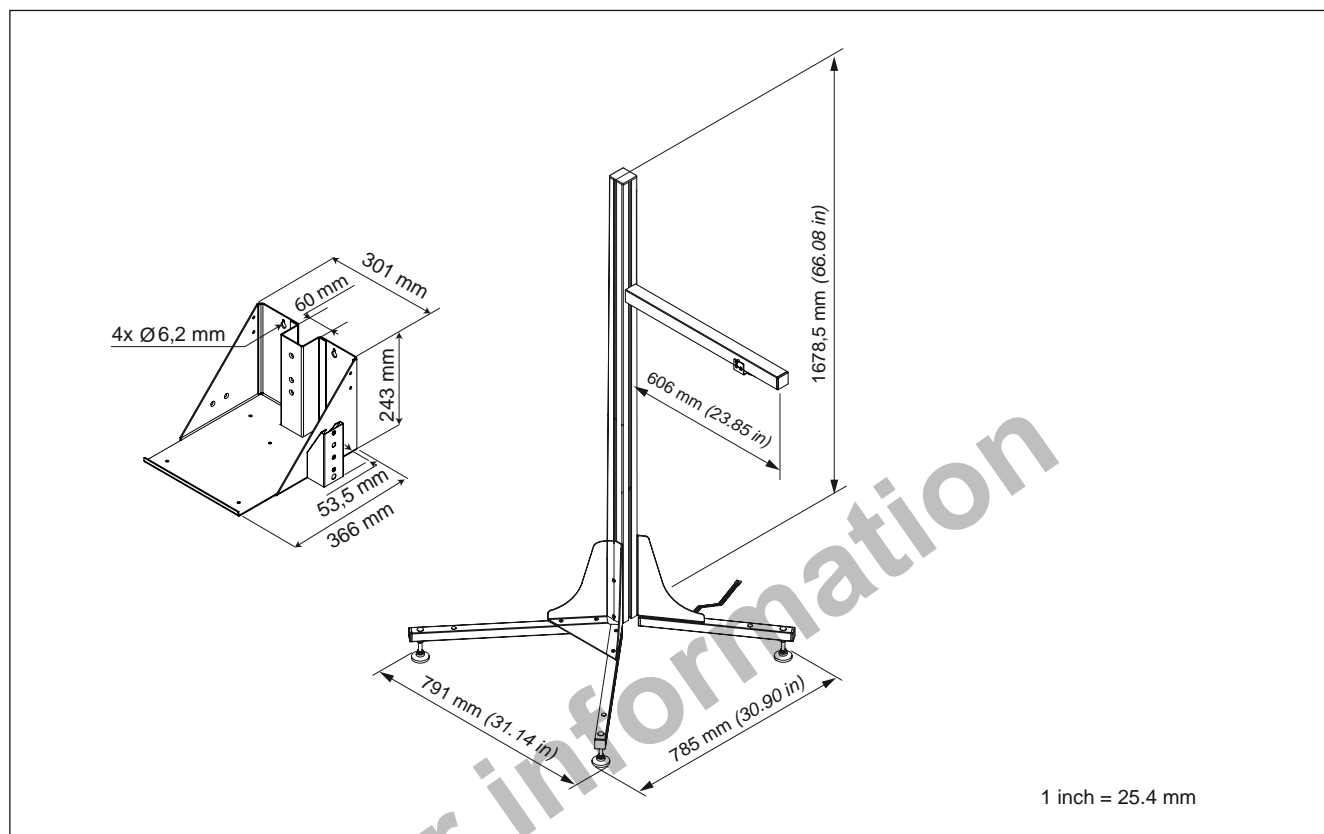


Item	Part number	Description
1	A41989	Table - Stainless steel
2	A41985	Support kit - Maintenance tray
3	A42209	Wheels (x4)
4	EN6450	Maintenance tray
5	A28457	Mounting kit - Maintenance tray - with ground strap
6	EN10013	Head support - Servicing position
7	A34798	Mounting kit - Head support - Servicing position

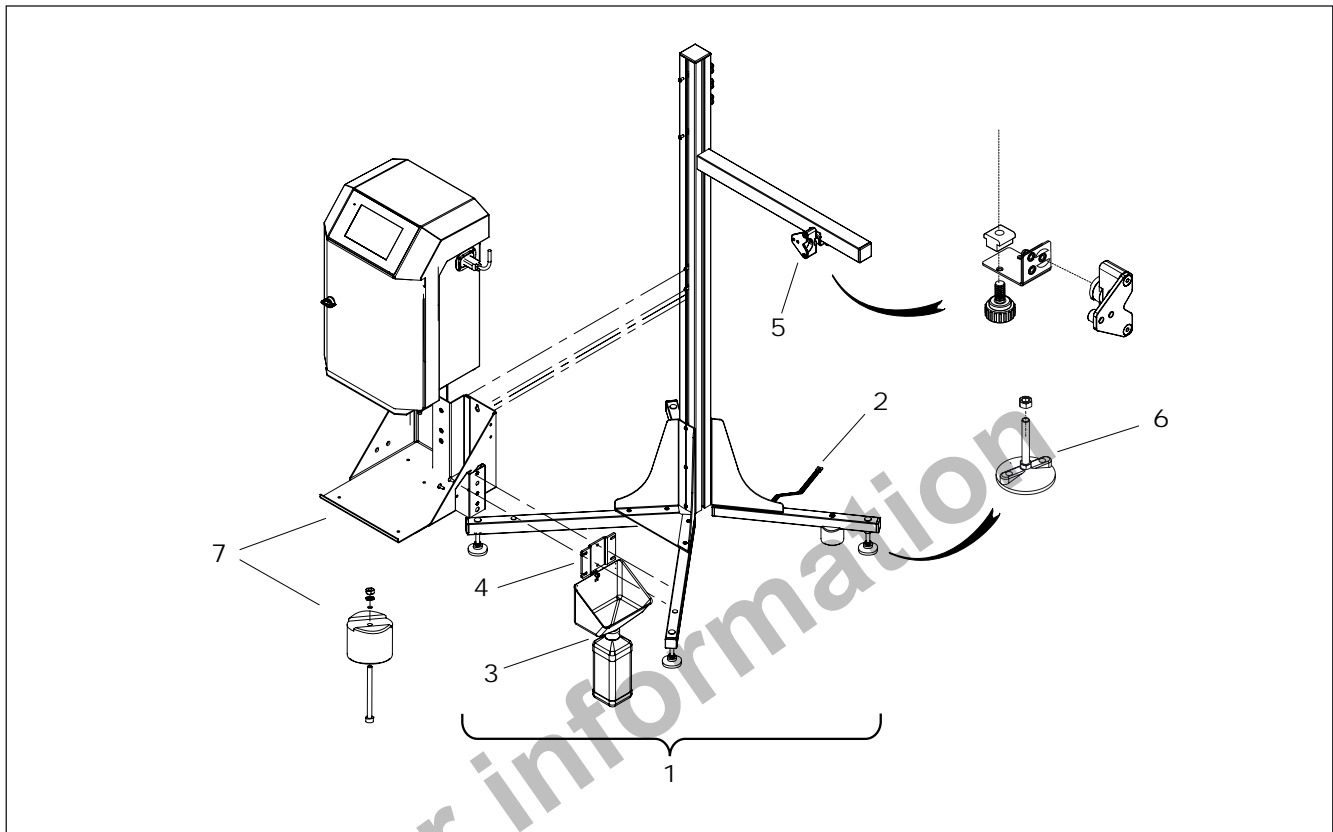
# Accessories

## ■ Aluminium stand

### □ Dimensions



## □ Part number

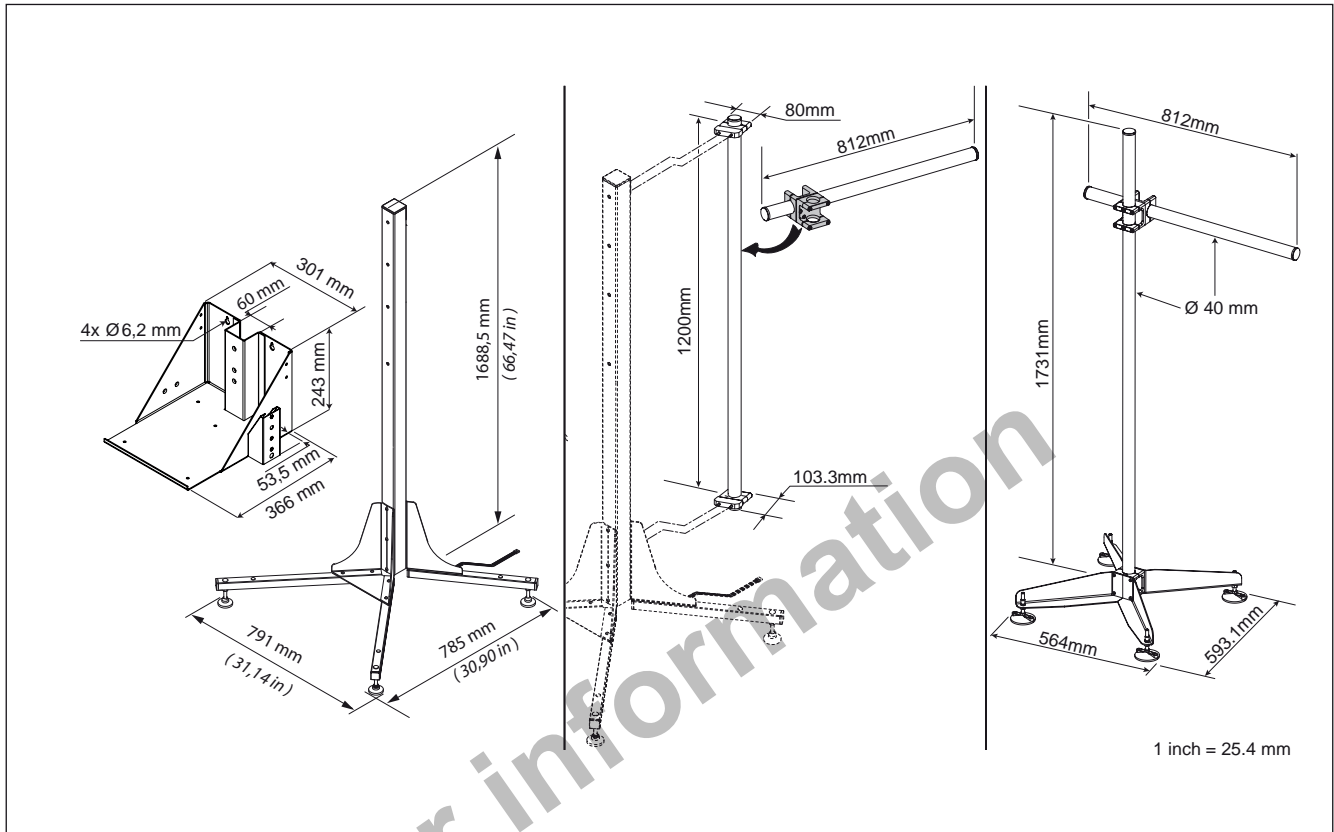


Item	Part number	Description
1	A36418	Stand - Printer/Head - Aluminium (includes 2, 3, 4, 5)
2	A28453	Ground strap kit
3	EN6450	Maintenance tray
4	EN10013	Head support - Servicing position
5	A17974	Head support - Aluminium stand - with rotation
6	A28455	Adjustable base pad (x 4)
7	ENM40993	Bracket - Printer - With weights (x 2)

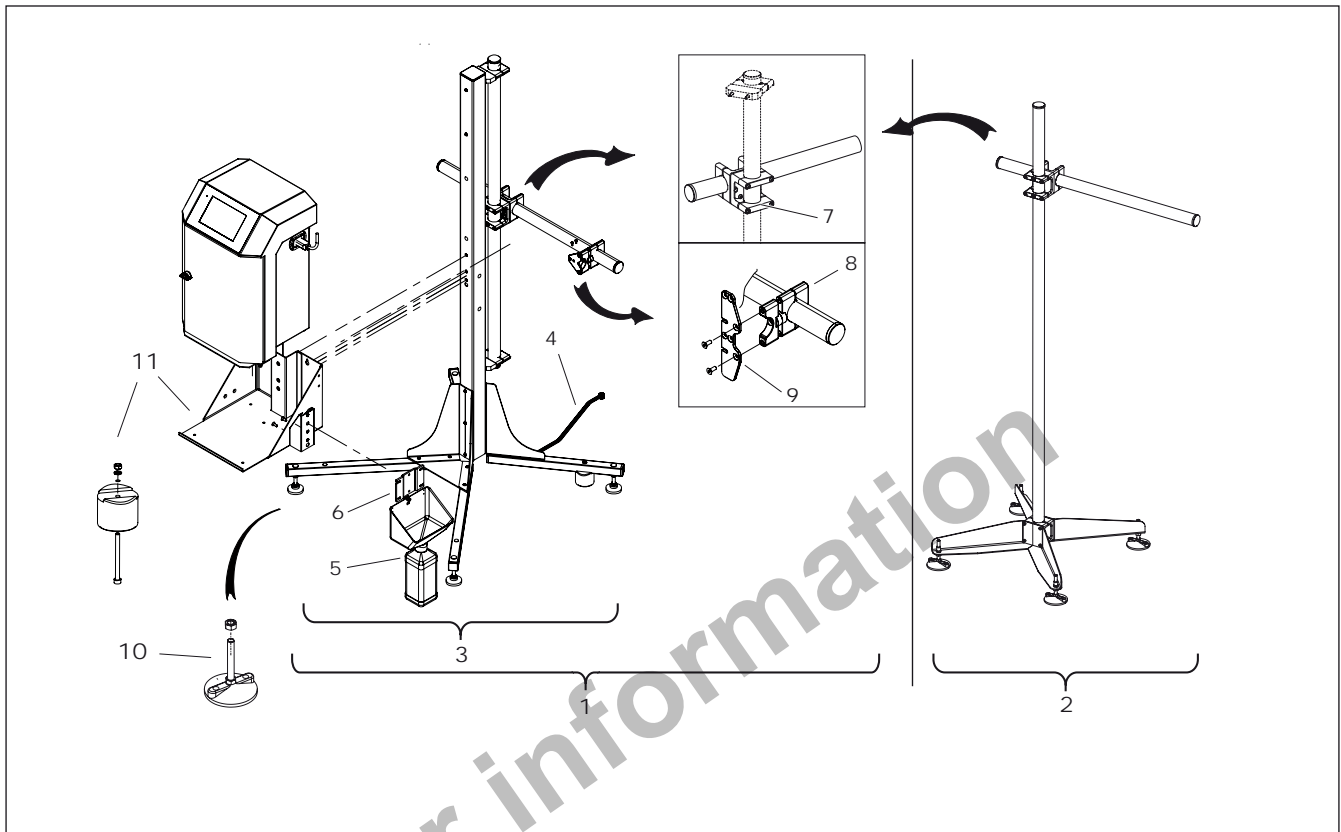
# Accessories

## ■ Stainless steel stand

### □ Dimensions



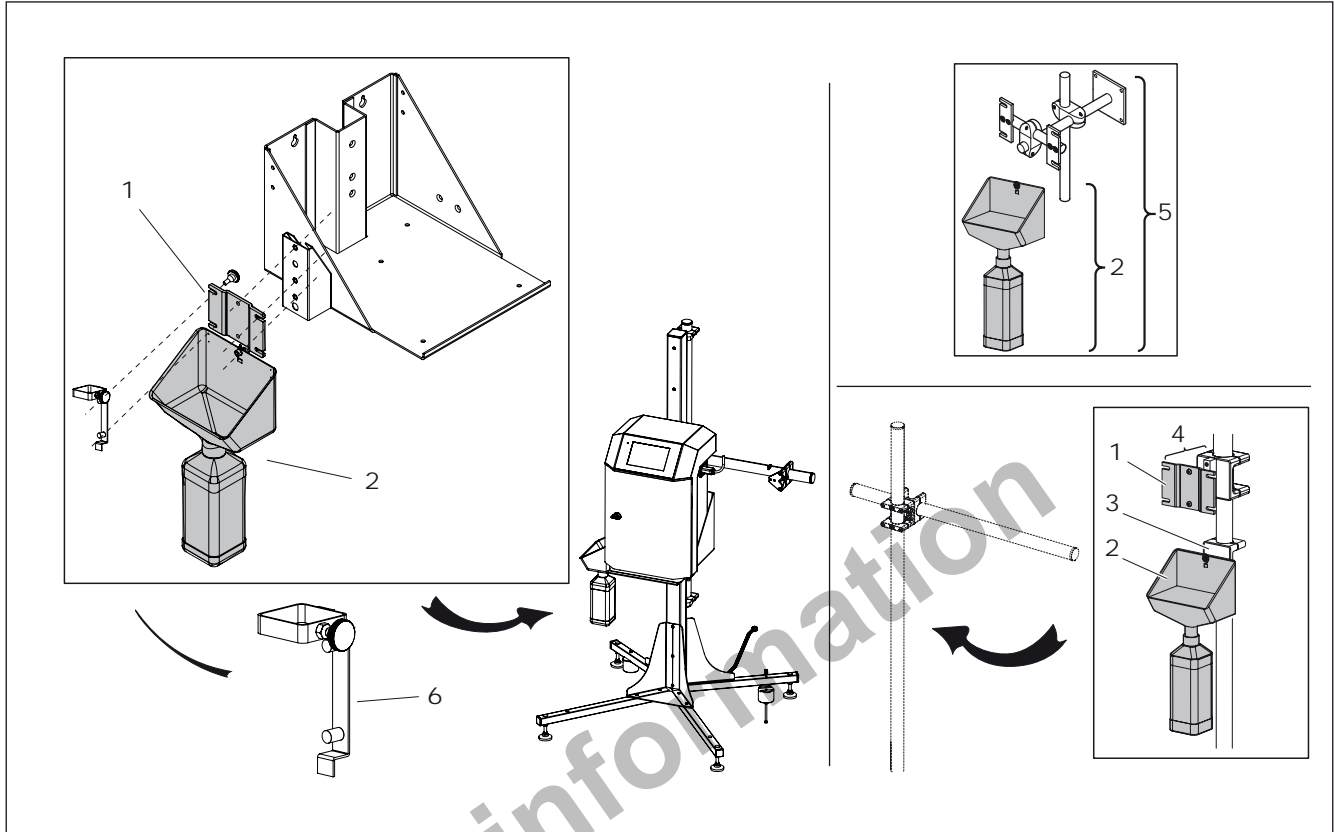
## ▣ Part number



Item	Part number	Description
1	A36416	Stand - Printer/Head - Stainless steel (includes 4, 5, 6, 7, 8)
2	A28473	Stand - Head - Stainless steel
3	A36415	Stand - Printer - Stainless steel (includes 4, 5, 6)
4	A28453	Ground strap kit
5	EN6450	Maintenance tray
6	EN10013	Head support - Servicing position
7	A28459	Adjustable bracket
8	A36925	Standard Head support - Stainless steel stand - with rotation
9	A35955	Bracket - Interface Head Support
10	A28455	Adjustable base pad (x 4)
11	ENM40993	Bracket - Printer - With weights (x 2)

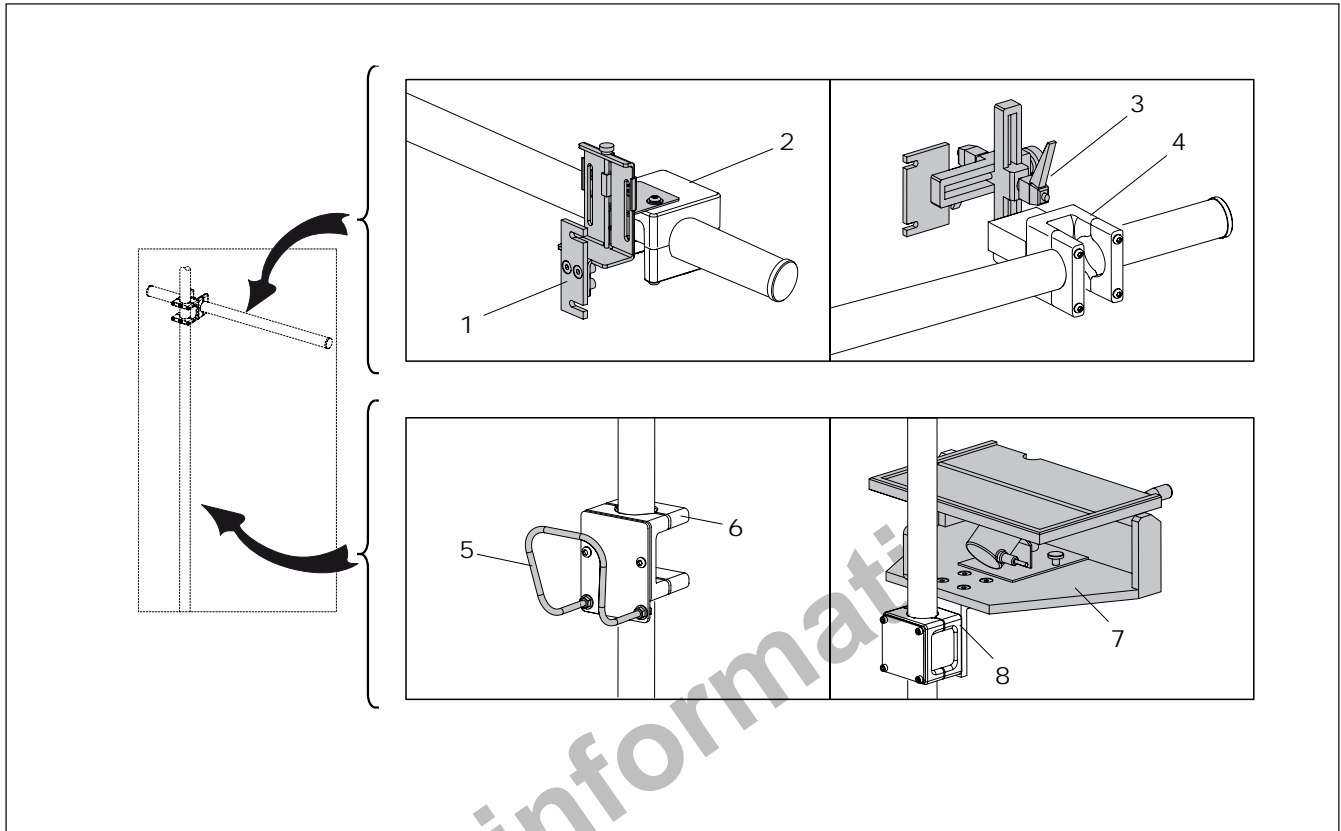
# Accessories

## ■ Maintenance tray



Item	Part number	Description
1	EN10013	Head support - Servicing position
2	EN6450	Maintenance tray
3	A28457	Mounting kit - Maintenance tray - With ground strap
4	A34798	Mounting kit - Head support - Servicing position
5	EN6163	Head support - Wall - Servicing position
6	ENM40807	Head support - IP65 - Servicing position

## ■ Head adjustment supports - Marking table



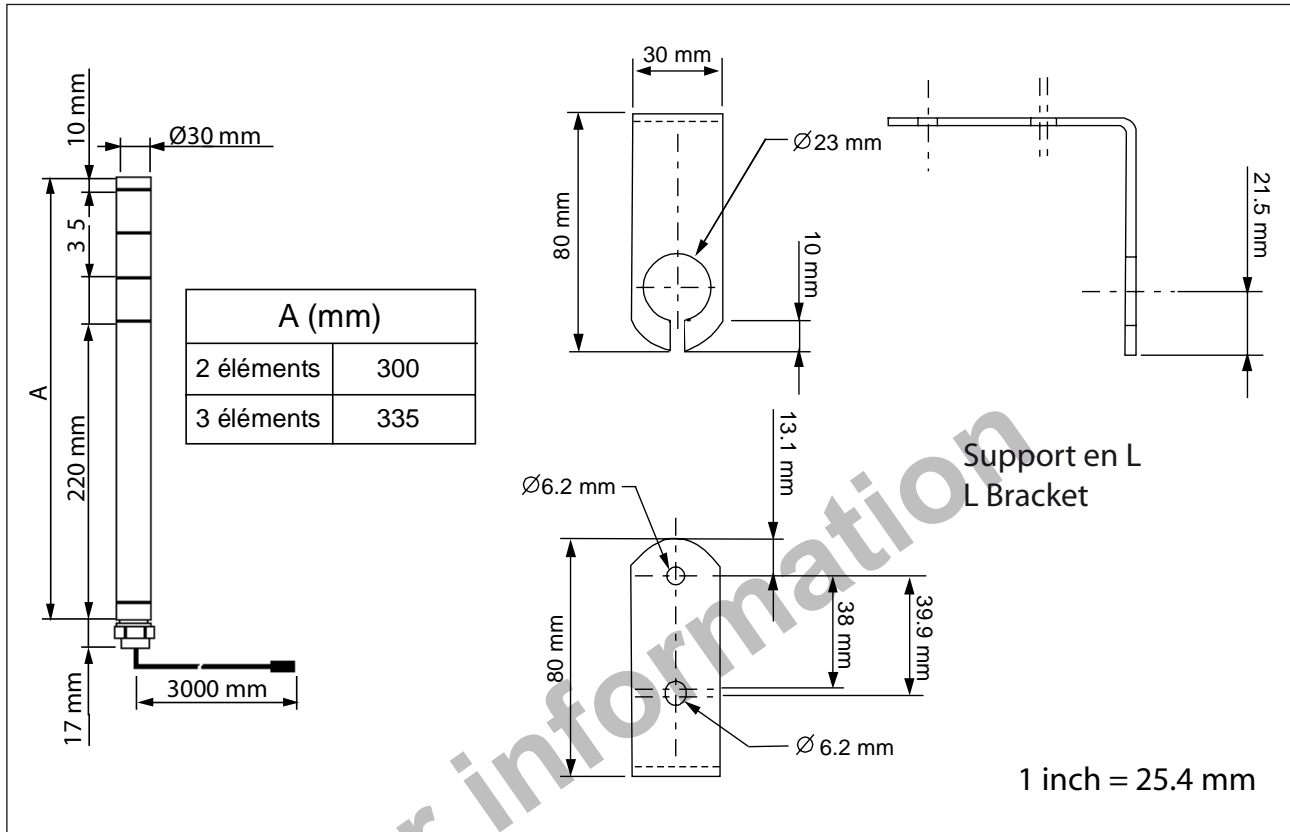
Item	Part number	Description
1	EN10012	Head support - 1 axis precision adjustment
2	A28479	Mounting kit - Head support - 1 axis precision adjustment
3	EN4735	Head support - 2 axis precision adjustment
4	A28480	Mounting kit - Head support - 2 axis precision adjustment
5	ENM10163	Conduit support
6	A28460	Mounting kit - Conduit support
7	EN6051	Marking table
8	A28463	Mounting kit - Marking table



# Accessories

## Alarm

### Dimensions



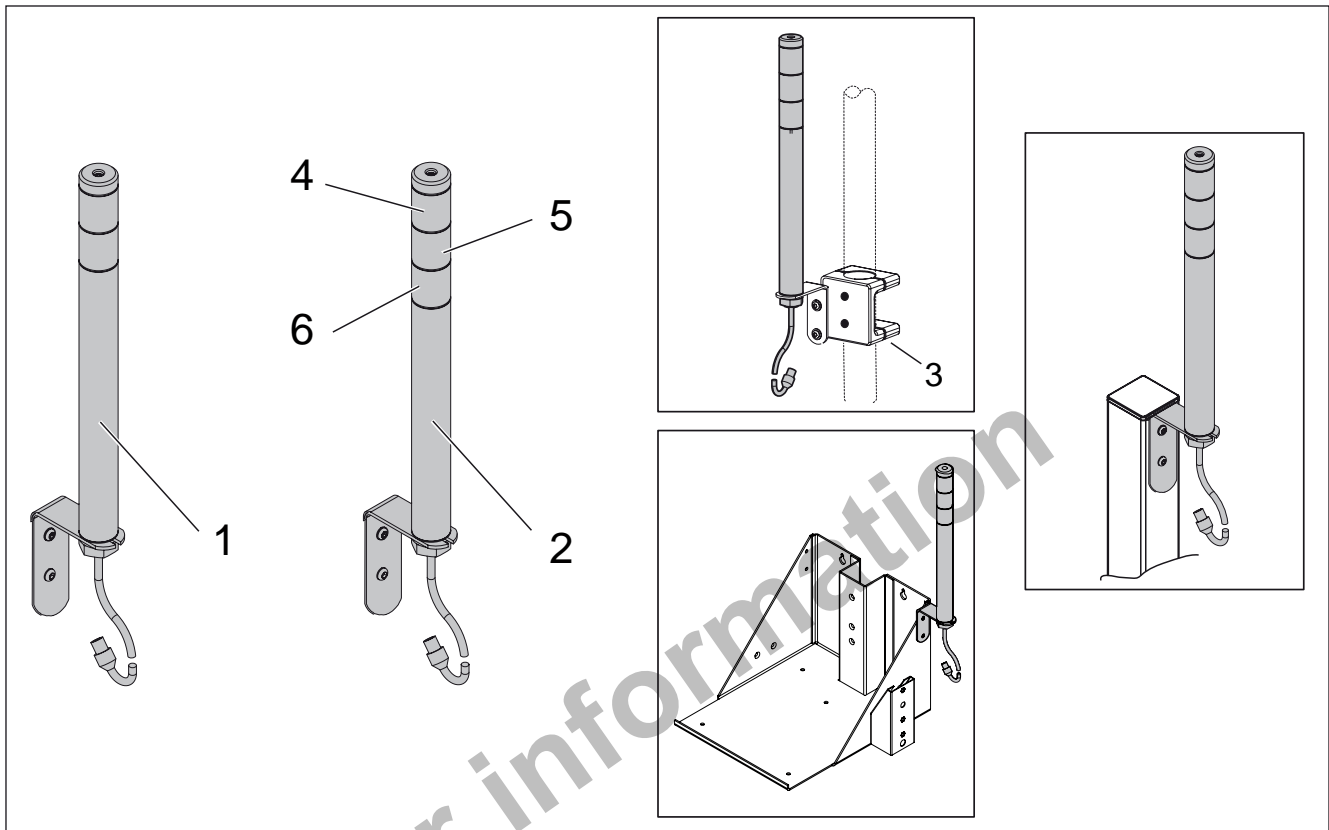
### Technical specifications

Model	Rated Voltage nominale	Power consumption	Mass	Wire type/diameter
A34791	24V AC/DC	1.4W	0.23kg	UL1007/AWG22
A34792	24V AC/DC	2.0W	0.25kg	UL1007/AWG22

### External contact capacity

<b>LED module [1-light]</b>	Current consumption	Red - Orange : 30mA / Green - Blue - White : 25mA
	Contact capacity	$I_s \geq 50\text{mA}$ $V_s \geq 35\text{ VAC}$
<b>Supply</b>	Current consumption	200mA (MAX)
	Contact capacity	$I_s \geq 200\text{mA}$ $V_s \geq 35\text{ VAC}$

## □ Part number

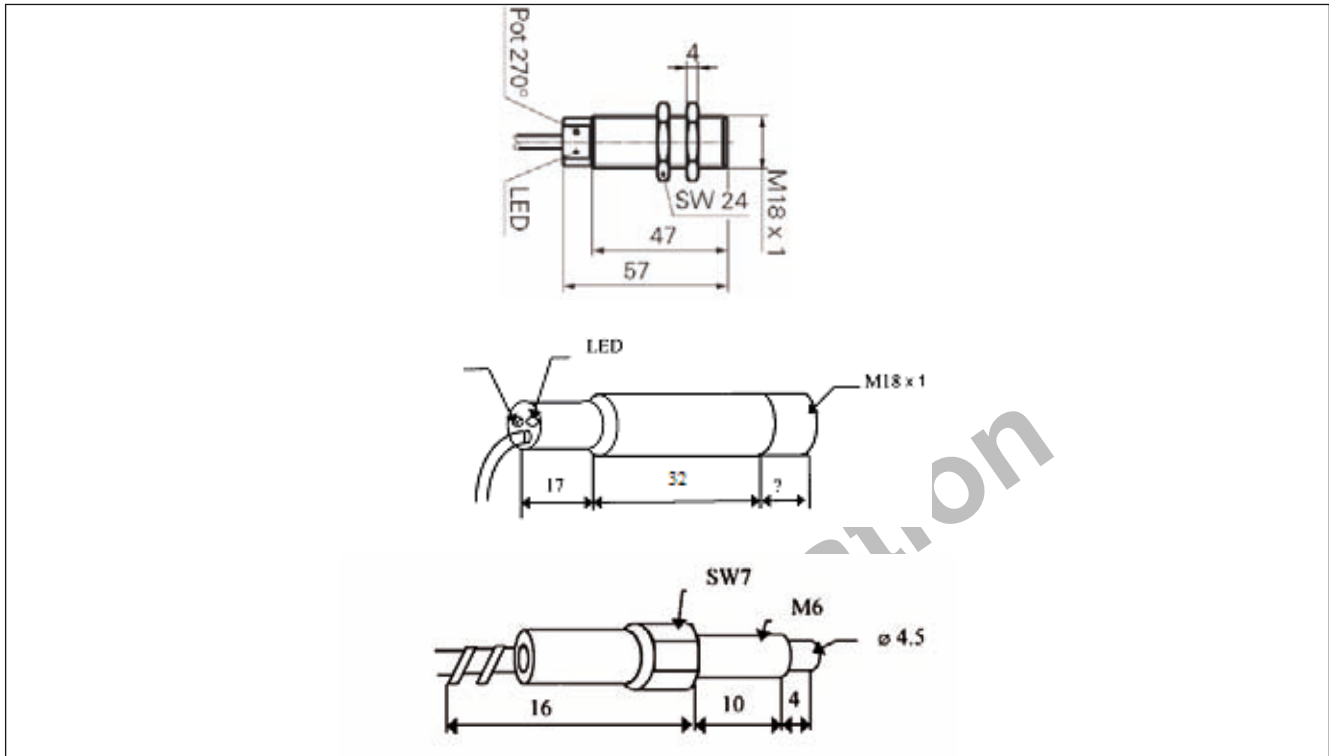


Item	Part number	Description
1	A34791	Alarm - Illuminated - 24 V - 2 elements (Red / Orange)
2	A34792	Alarm - Illuminated - 24 V - 3 elements (Red / Green / Orange)
3	A28466	Mounting kit - Alarm - Illuminated
4	A42244	Element - Red
5	A42245	Element - Orange
6	A42246	Element - Green

# Accessories

## ■ Photocells

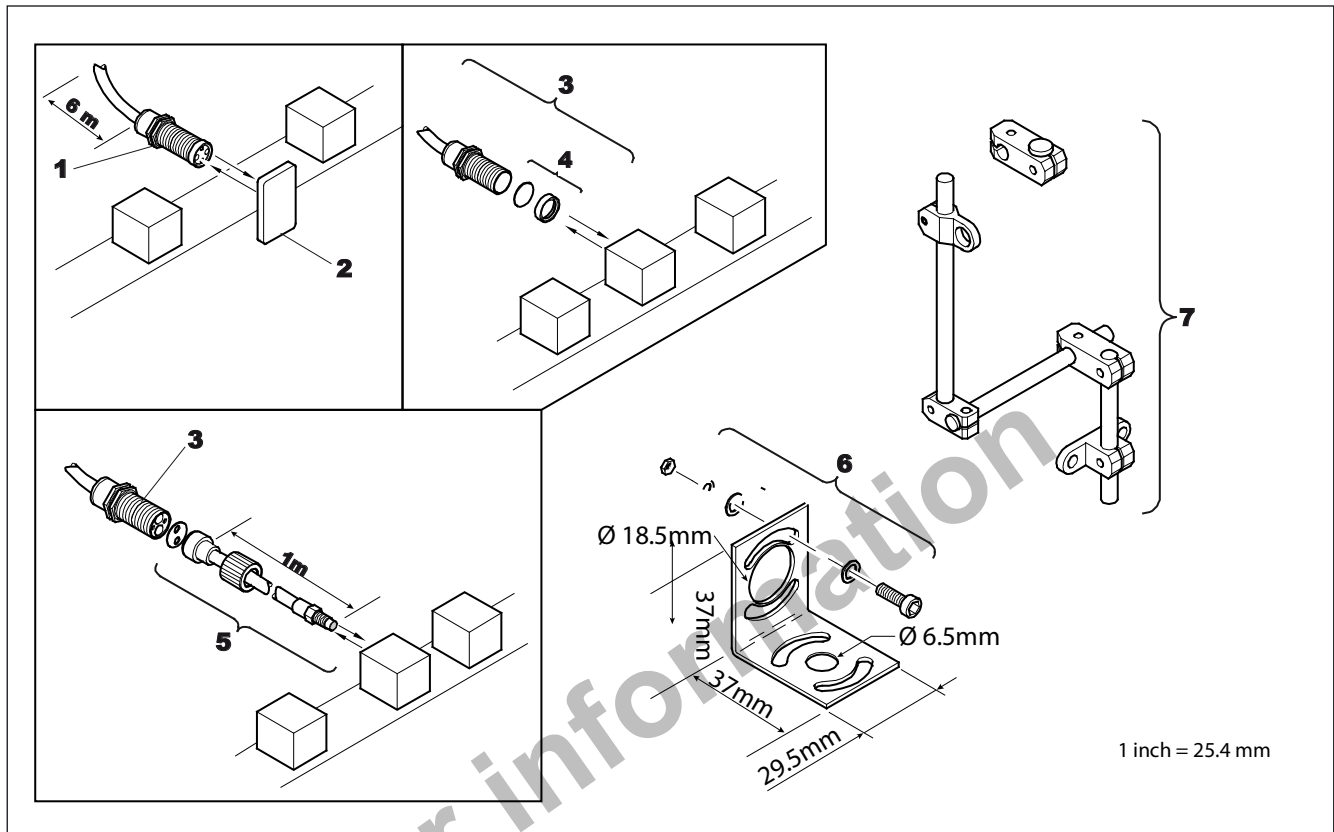
### □ Dimensions



### □ Technical specifications

	Reflex photocell	Proximity photocell	Optic fiber
<b>Ajustable range</b>	0 – 1,70 m	0 – 200 mm	0 – 55 mm
<b>Voltage range</b>	10 – 30 VDC	10 – 30 VDC	
<b>Curent consumption</b>	≤ 35 mA	≤ 30 mA	
<b>Max. load current</b>	200 mA	200 mA	
<b>Activation time</b>	≤ 1 ms	≤ 0.5 ms	
<b>Deactivation time</b>	≤ 1 ms	≤ 0.5 ms	
<b>Protection class</b>	IP65	IP65	IP65
<b>Cable length</b>	6 m	6 m	Fiber = 1 m
<b>Case material</b>	Nickel-plated brass	Nickel-plated brass	Sheathing: chrome-plated metal
<b>Output</b>	PNP	PNP	
<b>Commutation</b>	Dark	Light	
<b>Protected against short circuits</b>	Yes	Yes	
<b>Protected against polarity inversions</b>	Yes	Yes	
<b>Temperature range</b>	- 25° C / + 65° C	- 25° C / + 65° C	- 25° C / + 65° C

## □ Part number

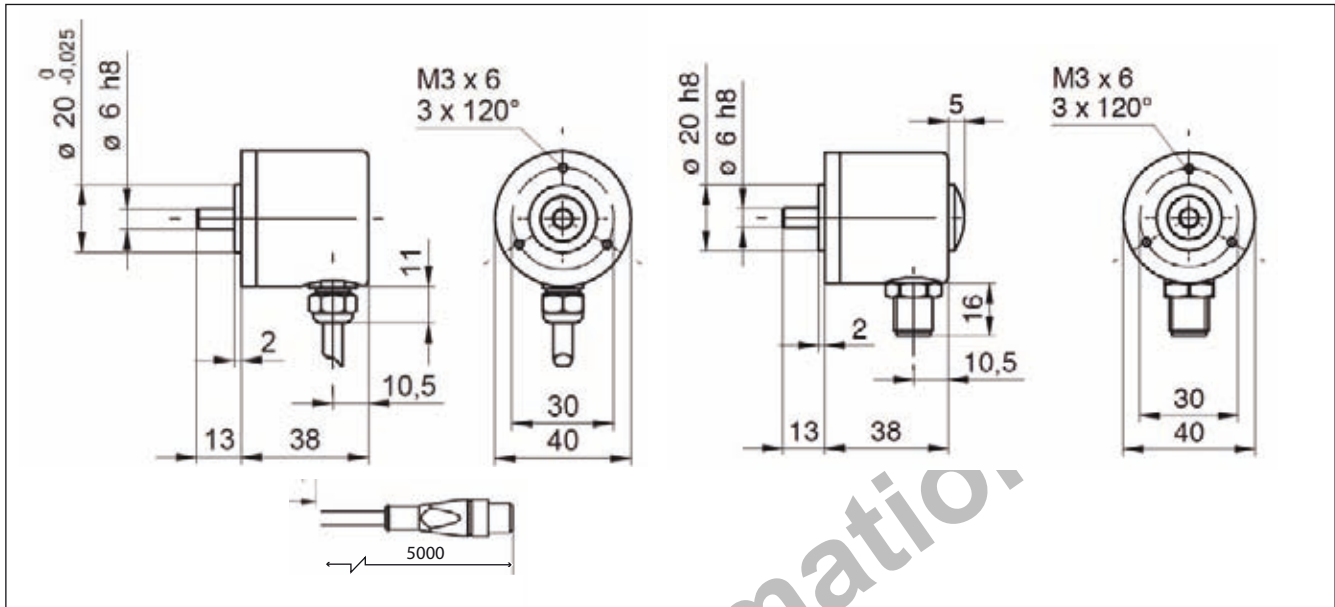


Item	Part number	Description
1	A35433	Photocell - Reflex - With connector
2	A16540	Reflector
3	A35355	Photocell - Proximity - With connector
4	A16541	Glass protector
5	A16470	Optical cable (used with proximity photocell)
6	A16538	Mounting bracket - Photocell/optical cable
7	A16539	Support - Photocell

# Accessories

## ■ Shaft encoders

### □ Dimensions



### □ Mechanical specifications

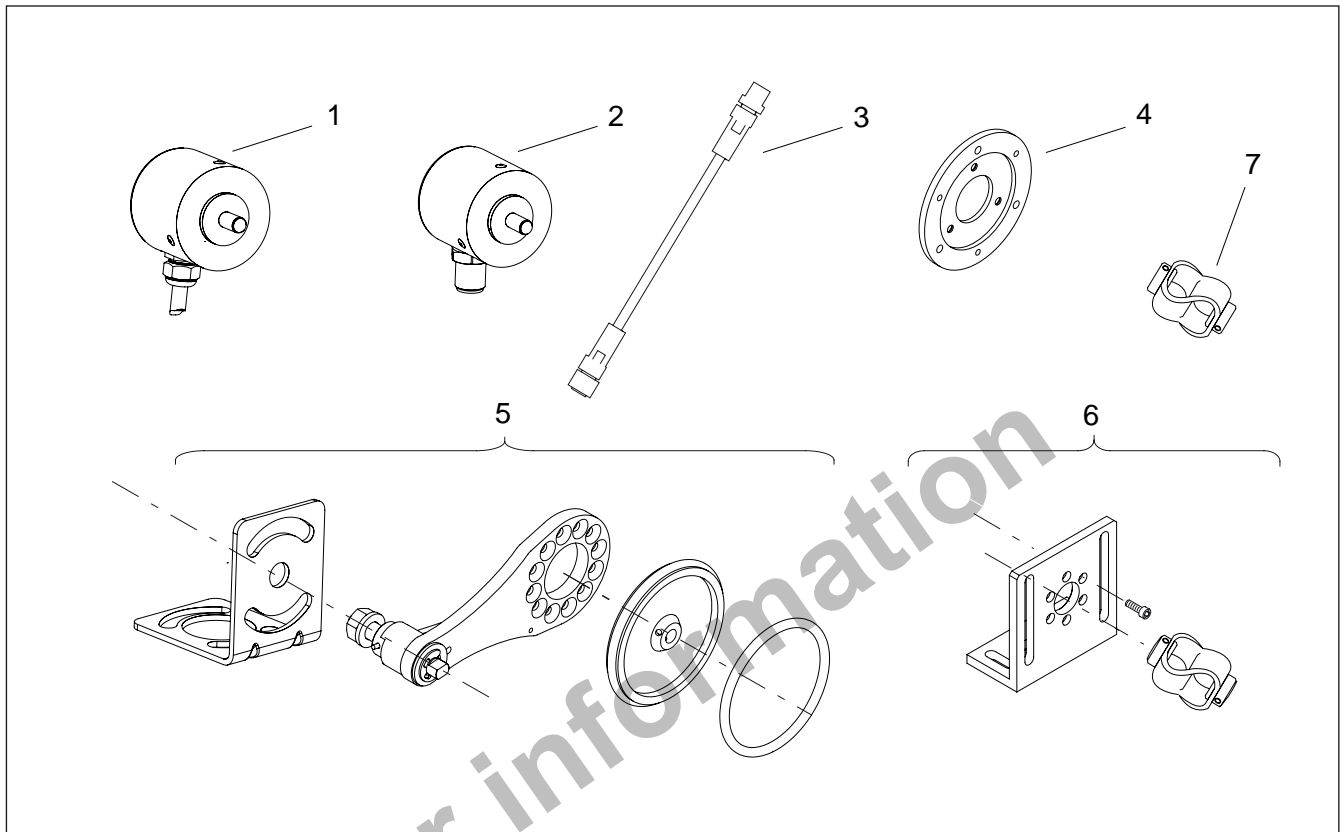
<b>Material</b>	Housing: aluminium Flange: aluminium
<b>Maximal loads</b>	Axial: 10 N Radial: 30 N
<b>Moment of inertia</b>	Typ. $0.85 \times 10^{-7} \text{ kgm}^2$
<b>Acceleration</b>	Typ. 0.75 cNm (3'000 rpm / 20 °C)
<b>Continuous speed</b>	Max 6000 tr/min (rpm)
<b>Weight</b>	A41369: 300 g - A41370: 150 g
<b>Relative humidity</b>	95 % (without condensation)
<b>IP (EN 60529)</b>	IP 65

### □ Electrical specifications

	<b>A41369</b>	<b>A41370</b>
<b>Supply</b>	4.75 to 30 VDC	4.75 to 30 VDC
<b>Consumption</b>	Typ. 100 mA (to 24 VDC)	Typ. 40 mA (to 24 VDC)
<b>Output voltage</b>	24 VDC	24 VDC
<b>Intensity per channel</b>	max. 20 mA	max. 20 mA
<b>Protection against short circuits</b>	yes	yes
<b>Protection against reverse polarity</b>	yes	yes
<b>Operating temperature</b>	-20 °C to 85 °C	-20 °C to 85 °C
<b>Resolution</b>	5000 pulses/rev	1000 to 25000 pulses/rev (adjustable 16 values)



## ▣ Part number



Item	Part number	Description
1	A41369	Encoder - 5000 Pulses/revolution + connector
2	A41370	Encoder - Adjustable
3	A41371	Cable - 5 meters - for adjustable encoder
4	A41390	Adaptation plate - For encoder accessories before 2011
5	A41411	Mounting kit - With tension control - With wheel
6	A41412	Mounting kit - With L-shape bracket - With flexible coupling 6-6
7	A41400	Flexible coupling 6-10

# Accessories

---

## ■ Antistatic brush, air blade kit

### □ **Anti-static brush**

#### ■ Description

Certain printing applications, such as blister packs, plastic film or cables, can produce electrostatic charges that may disperse the drops ink, which will reduce print quality. Use an anti-static brush to prevent this.

#### ■ Installation

The brush, which is 70 mm (2.76 in.) long, is mounted crosswise 50 mm (1.97 in.) in front of the head. It should never be more than 1mm (0.04 in.) from the object and should preferably be in contact with the object. It must also be grounded.

### □ **Kit lame d'air**

#### ■ Description

The air blade is used to dry:

- The substrate prior printing
- The ink after printing

#### ■ Installation

Blades are available in two lengths: 6» (153 mm) and 18» (457 mm).

The space between the blade and the object may be adjusted (between 0.4 and 2 in.) (10 and 60 mm).

The air blade kit includes the blade, filters and a bar to remove the head and couplings necessary for installation.

The connector on the kit's inlet is 1/2» G female or 1/2» BSP 10 mm.

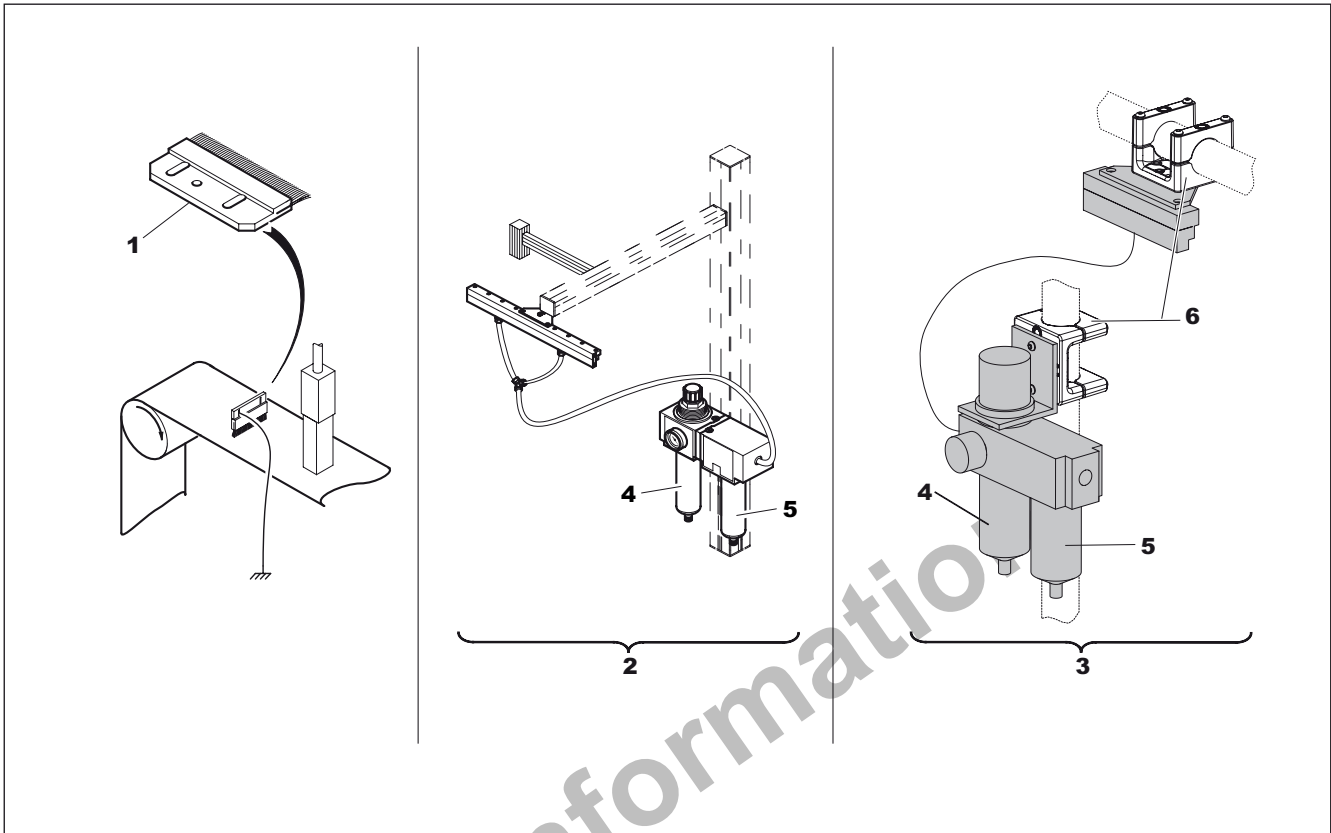
Use the cross-shaped bars to attach the air blade to the Markem-Imaje stand.

Check your plant air for the following characteristics:

- 6» blade (153 mm): air flow and pressure at the kit's input must be at least 300 l/min. (10.5 scfm) at 1.8 bar (26.1 PSI).
- 18» blade (457 mm): air flow and pressure at the kit's input must be at least 800 l/min. (28.25 scfm) at 1.8 bar (26.1 PSI).
- Pressure at the kit's input must be at least 3 bar (43.5 PSI).
- Operating temperature must be between 14°F and 167°F (-10°C and +75°C).
- The air must be clean, dry and oil free. It must contain at the most: 0.12 grams of water/m<sup>3</sup> (0.15 ounce of water/cubic foot), 1PPM of oil and size of particle <5 µm.



## □ Part number



Item	Part number	Description
1	A13939	Antistatic brush
2	A17287	Air blade kit - 457 mm (18 in.)
3	A17796	Air blade kit - 153 mm (6 in.)
4	ENM17562	Filter - air blade - main filter - 5 µm
5	ENM17563	Filter - air blade - secondary filter - 0.01 µm
6	A34371	Mounting kit - air blade kit - Stainless steel stand



# Accessories

---

## ■ Marking pistol

### □ Technical specifications

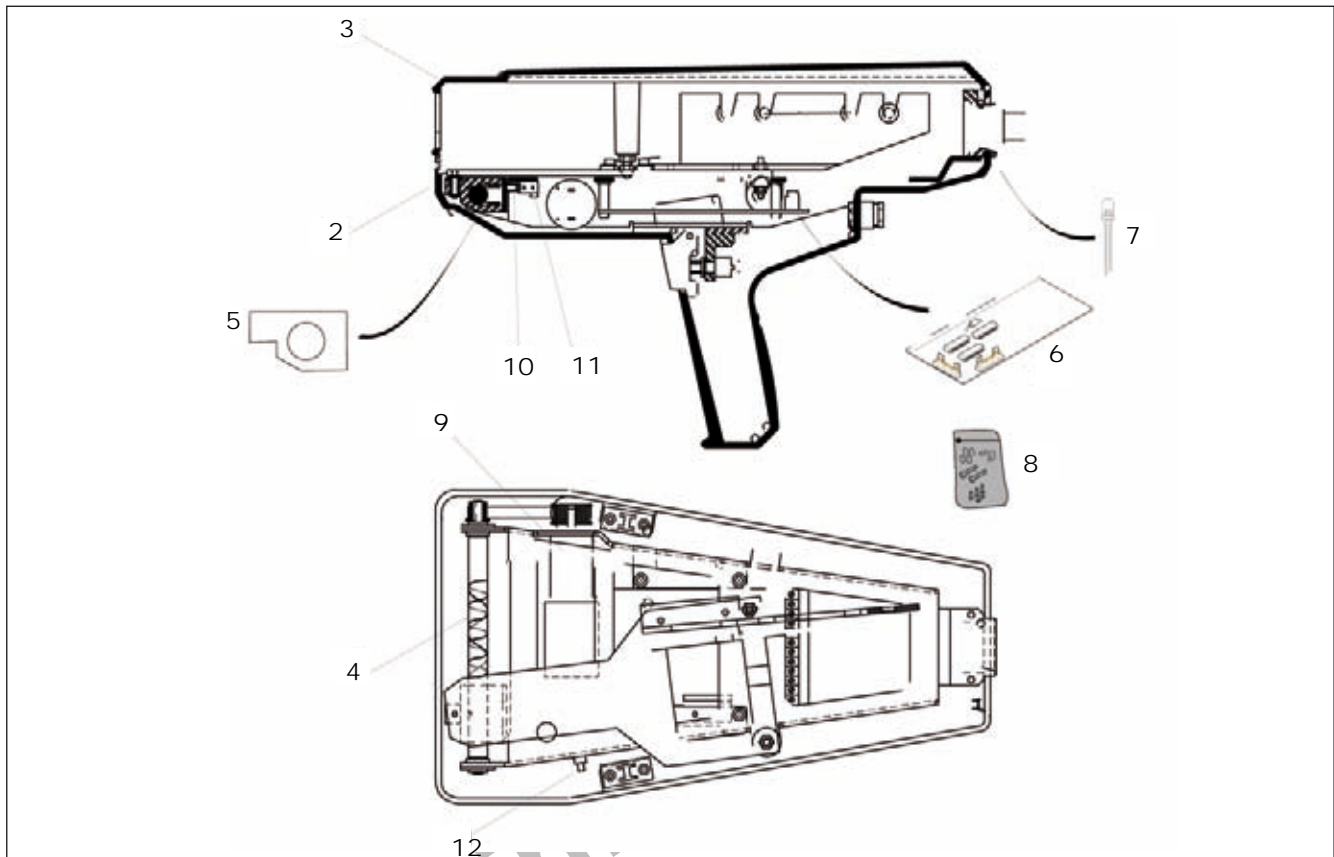
<b>Dimensions</b>	300 x 167 x 200 mm
<b>Weight</b>	2 kg including head
<b>Functional temperature</b>	Between 5 °C and 35 °C
<b>Duration of complete cycle</b>	2 s
<b>Duration of useful cycle</b>	1,2 s
<b>Total course</b>	70 mm
<b>Useful course (at constant speed)</b>	65 mm

### □ Electrical specifications

	<b>MIN</b>	<b>NOM</b>	<b>MAX</b>
<b>Supply:</b>	15 V	24 V	30 V
<b>Voltage</b>			1 mA
<b>Off-line current</b>			
<b>Current</b>		200 mA	250 mA
<b>Commands:</b>			
<b>Mechanical contact in trigger</b>			
<b>Remote - photocoupled input</b>			
<b>Voltage level (for R7 = 1.5 KΩ)</b>		26 V	40 V
<b>Current</b>		16 mA	25 mA
<b>Pulse width</b>	1 ms		
<b>Output:</b>			
<b>Detect / Object / Top</b>			
<b>Voltage</b>			50 V
<b>Current</b>		12-25 mA	500 mA
<b>Cycle duration LED:</b>			
<b>Current</b>		20 mA	



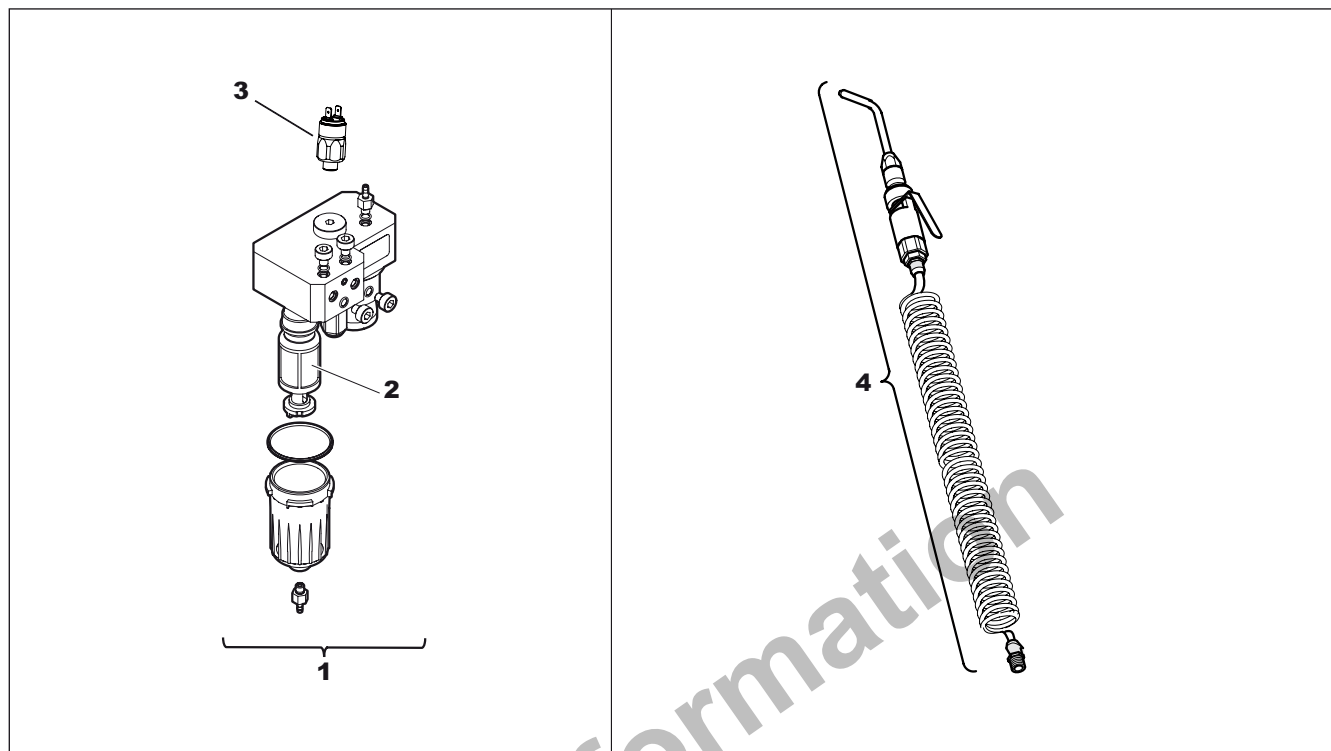
## □ Part number



Item	Part number	Description
1	EN6031	Marking Pistol - Equipped
2	ENM4925	Cover - Lower - Equipped
3	ENM6014	Cover - Upper - Equipped
4	ENM4930	Leadscrew
5	ENM4946	Carriage - Equipped
6	ENM4879	Board - Command
7	ENM10000	LED (X4)
8	ENM10001	Kit - Mechanical
9	A11285	Motoreductor - 12 V
10	ENM6680	Mounting tongues (X5)
11	ENM6681	Microswitch (X5) - Limit
12	ENM6682	Push buttons (X5) - For reloading

## Accessories

### ■ Air-processing unit, head-drying kit



Item	Part number	Description
1	ENM40206	Air-processing unit - without pressure switch
2	ENM16203	Filtering cartridge - 0.1 $\mu\text{m}$ - with seal
3	ENM16215	Pressure switch - IP65
4	EN7696	Head-drying kit

# **Safety and maintenance parts**

For information



## Safety and maintenance parts

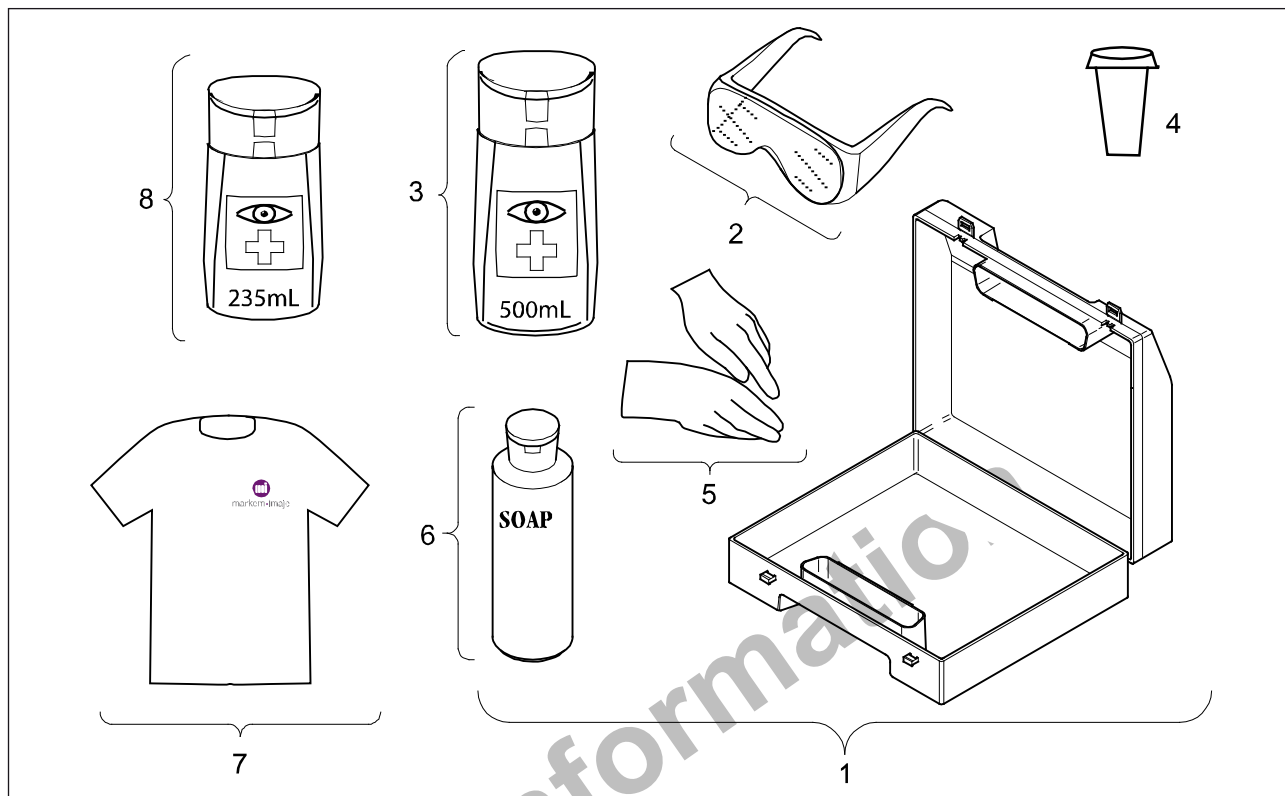
---

For information



## Safety and maintenance parts

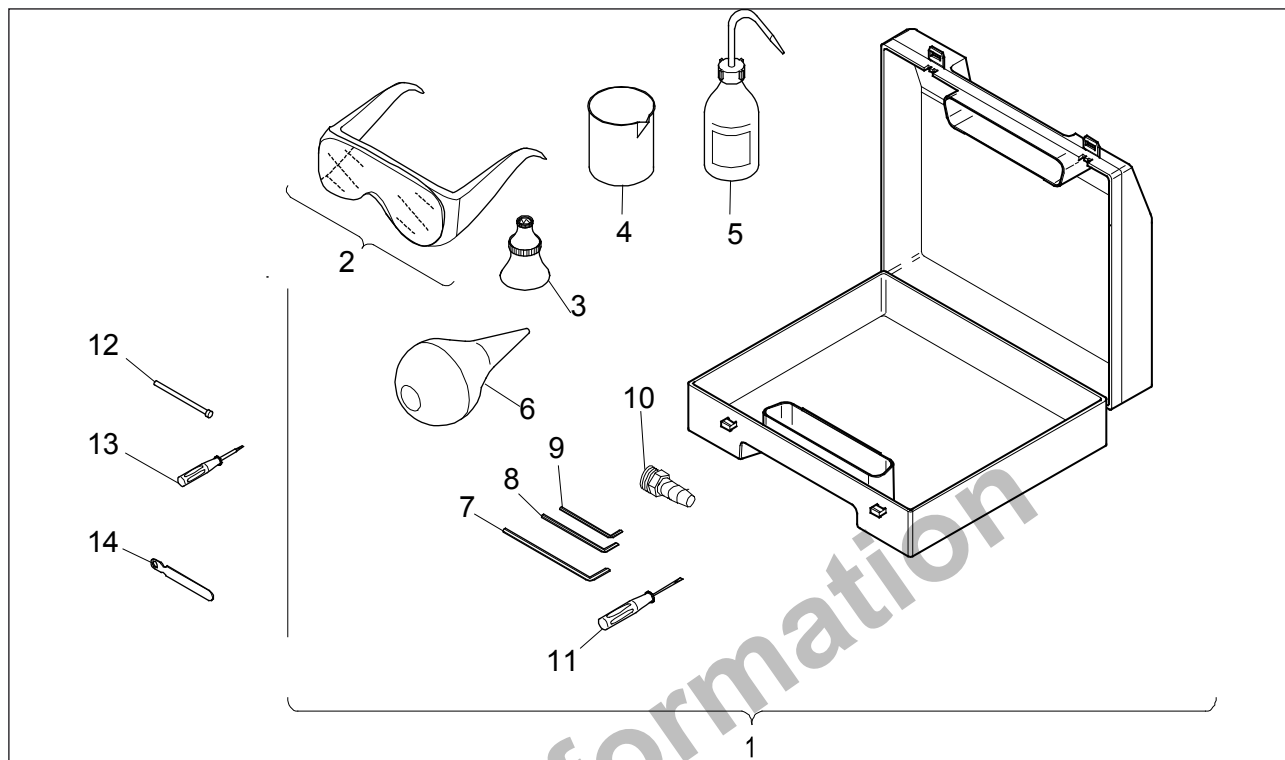
### ■ Safety kit



Item	Part number	Description
<b>1</b>	A17538	Safety kit (includes 2, 3, 4, 5, 6)
Referenced materials in the safety kit may be ordered separately		
<b>2</b>	A17955	Safety glasses
<b>3</b>	A38254	Eye wash - Hand held - 500 mL
<b>4</b>		Eye - Cup - Individual
<b>5</b>	ENM4491	Gloves (x 20) - Latex
<b>6</b>		Hand cleaner - Liquid - 125 ml
<b>7</b>	A20872	Tee shirt - Black - Markem-Imaje - Size M
<b>7</b>	A20873	Tee shirt - Black - Markem-Imaje - Size L
<b>7</b>	A20874	Tee shirt - Black - Markem-Imaje - Size XL
<b>7</b>	A20875	Tee shirt - Black - Markem-Imaje - Size XXL
<b>8</b>	A38255	Eye wash - Hand held - 235 mL

# Safety and maintenance parts

## Tools



Item	Part number	Description
<b>1</b>	A27831	Suitcase-user
Referenced materials in the suitcase-user may be ordered separately (see list below)		
<b>2</b>	A17955	Safety glasses
<b>3</b>	A10413	Magnifier - Magnification x12
<b>4</b>	A11007	Beaker - 250 ml
<b>5</b>	ENM6317	Cleaning flask
<b>6</b>	A10864	Head dryer
<b>7</b>		Allen wrench - 3/32"
<b>8</b>	A18631	Allen wrench - 2 mm
<b>9</b>		Allen wrench - 1.5 mm
<b>10</b>		Connector - Ringed - M6 - 1/8 - Teflon
<b>11</b>	A12027	Screwdriver - 2.5 x 50
<b>12</b>	ENM5932	Adjustment tool - Cannon - Punch - Ø 0.95
<b>13</b>		Screwdriver - Flat 1.5 - Cannon holder cam
<b>14</b>	ENM14434	Wrench - Cannon - Hexagonal key - 5mm

# Documentation

For information





For information



## ■ CD-ROM

This CD-ROM includes the entire range of documentation for 9232 printer in PDF format : User manual, Instruction manual, Spare parts catalog, Network interface manual, Instructions for accessories and Space floor plans in DXF format.

<b>Part number</b>	<b>Description</b>
A40049	CD-ROM - all languages

## ■ Instruction manual

The Instruction manual complies with European directive 2006/42/CE. It is translated into all EU languages. It describes the basic functions of the printer.

<b>Part number</b>	<b>Description</b>
A40070	Instruction manual - French
A40071	Instruction manual - English
A40072	Instruction manual - Spanish
A40077	Instruction manual - Brazilian
A40073	Instruction manual - German
A40074	Instruction manual - Italian
A40075	Instruction manual - Portuguese
A40076	Instruction manual - Dutch
A40078	Instruction manual - Chinese
A40079	Instruction manual - Japanese
A40080	Instruction manual - Korean
A40092	Instruction manual - Finnish
A40094	Instruction manual - Danish
A40086	Instruction manual - Norwegian
A40100	Instruction manual - Hungarian
A40083	Instruction manual - Polish
A40084	Instruction manual - Slovenian
A40082	Instruction manual - Swedish
A40087	Instruction manual - Croatian



## Documentation

---

A40099	Instruction manual - Greek
A40098	Instruction manual - Turkish
A40081	Instruction manual - Russian
A40088	Instruction manual - Bulgarian
A40965	Instruction manual - Estonian
A40090	Instruction manual - Hebrew
A40966	Instruction manual - Latvian
A40967	Instruction manual - Lithuanian
A40968	Instruction manual - Slovak
A40969	Instruction manual - Irish
A40970	Instruction manual - Maltese
A40100	Instruction manual - Romanian
A40089	Instruction manual - Arabic
A40085	Instruction manual - Czech
A40096	Instruction manual - Vietnamese
A40093	Instruction manual - Taiwanese
A40091	Instruction manual - Farsi
A40095	Instruction manual - Thai
A40097	Instruction manual - Indonesian

## ■ User manual

The User manual describes all other functions of the printer, technical specifications and preventive maintenance.

<b>Part number</b>	<b>Description</b>
A40050	User manual - French
A40051	User manual - English
A40052	User manual - Spanish
A40053	User manual - German
A40054	User manual - Italian
A40055	User manual - Portuguese
A40056	User manual - Dutch
A40057	User manual - Brazilian
A40058	User manual - Chinese
A40059	User manual - Japanese
A40060	User manual - Korean
A40062	User manual - Swedish

## ■ Network interface manual

This manual describes the use of the serial, parallel and Ethernet interfaces of the printer.

<b>Part number</b>	<b>Description</b>
A40120	Network interface manual - French
A40121	Network interface manual - English

## ■ Spare parts and accessories catalog

The catalog includes all spare parts and accessories of the printer.

<b>Part number</b>	<b>Description</b>
A40110	Catalog - Accessories - Spare parts - French
A40111	Catalog - Accessories - Spare parts - English

For information



## 9232 Catalog

### Instructions update

- The revision A index corresponds to the first edition of this manual.
- The revision index changes with each update.

<b>Date published</b>	<b>Revision index documentation</b>	<b>Software index</b>
<b>01/2011</b>	A	MI01.00

For information

For Marking & Coding Equipment. Photographs and drawings are not binding in detail. This document was originally written in French. The French text of this document shall alone be authentic and shall prevail in the event of a dispute. Markem-Imaje reserves the right to modify the specifications of its products without prior notice. Any reproduction, even partial, of this document is prohibited. Translation of the original manual: the original manual (in French) is available on the CD-ROM supplied with the printer.

© 2011 Markem-Imaje All Rights Reserved. English version



For information

